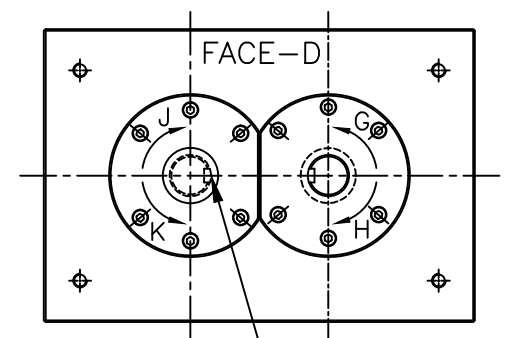
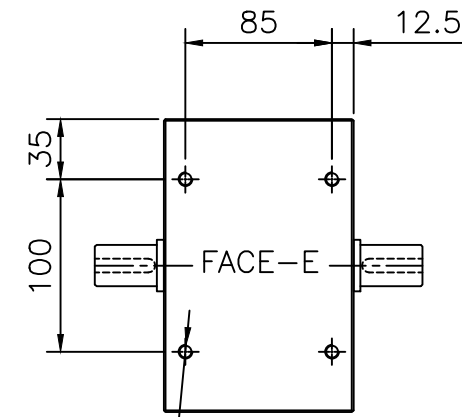
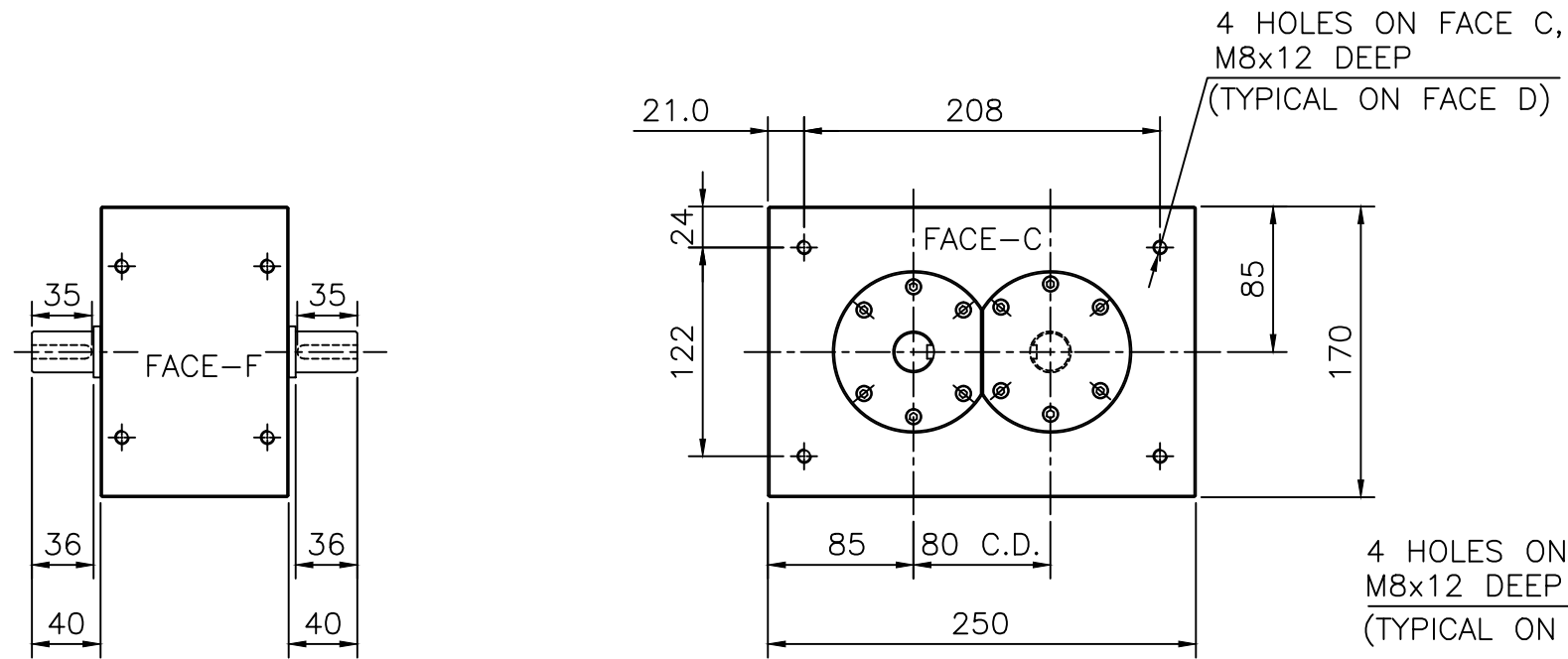
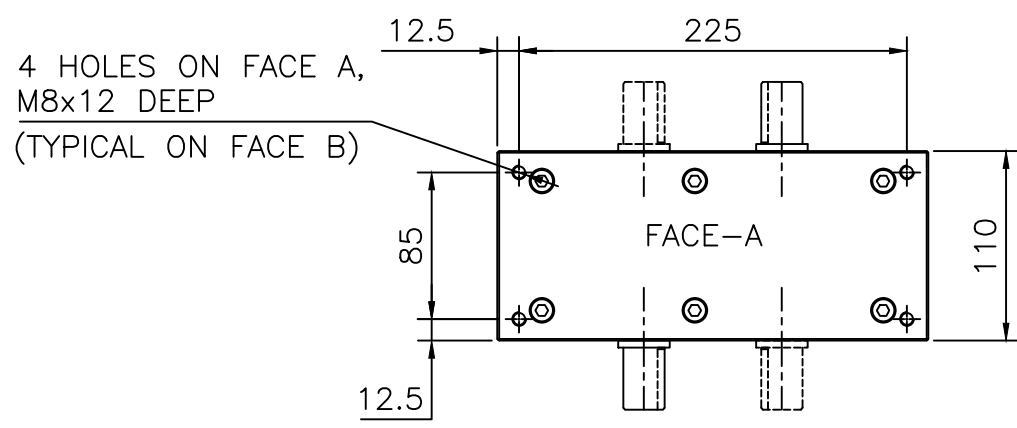


INPUT & OUTPUT
SHAFT KEYWAY



KEYWAY WILL BE IN THIS POSITION WHEN CAM IS IN CENTRE OF DWELL. INPUT SHAFT MAY ROTATE IN EITHER DIRECTION & PRODUCES OPPOSITE OUTPUT SHAFT ROTATION



- NOTES :
- 1) MOUNTING POSITION AND MOUNTING FACE IS TO BE DEFINED BEFORE ORDERING.
 - 2) DIRECTION OF ROTATION OF OUTPUT SHAFT IS OPPOSITE TO THE DIRECTION OF ROTATION OF INPUT SHAFT.
 - 3) SHAFT PROJECTIONS 1 & 8 ARE STANDARD.

		PACKAM CONTROLS PRIVATE LIMITED			
		PREMIUM PACKAM SERIES STD INSTALLATION DRG-PC80-S (SHAFT TYPE)			
DRAWN BY PMB	CHECKED BY SN	DATE 03.08.16	SCALE ~	DRAWING No. PC080S-H-S-001-X	ISSUE 2

ALL DIMENSIONS ARE IN mm UNLESS OTHERWISE SPECIFIED

KINDLY CONTACT PACKAM FOR LATEST VERSION