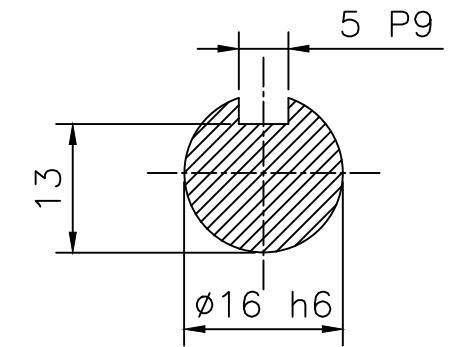
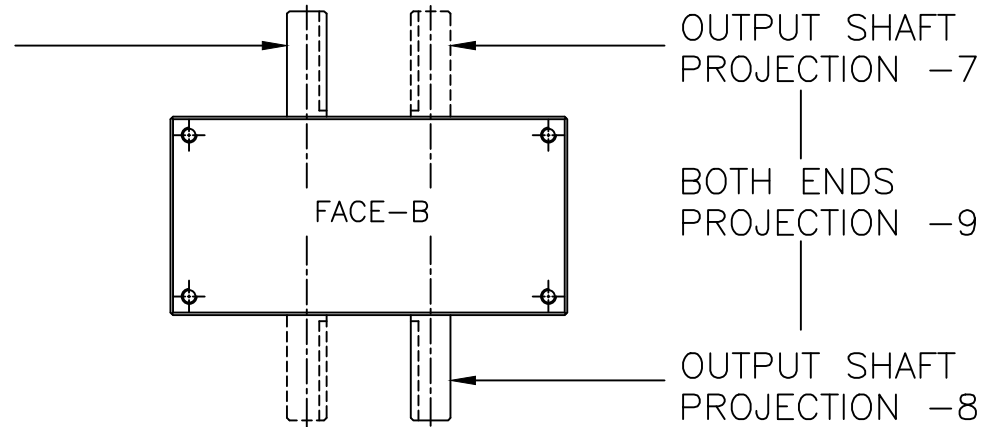
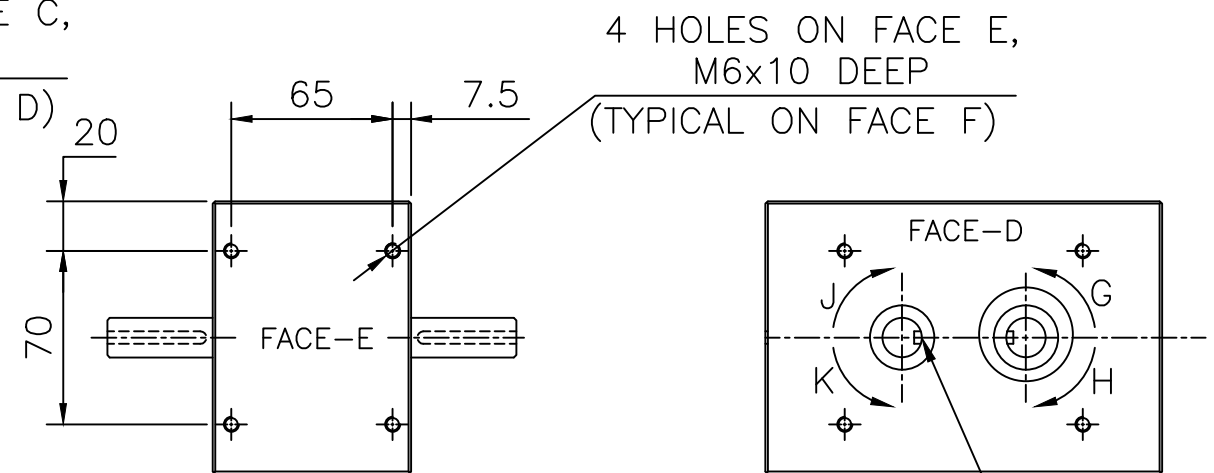
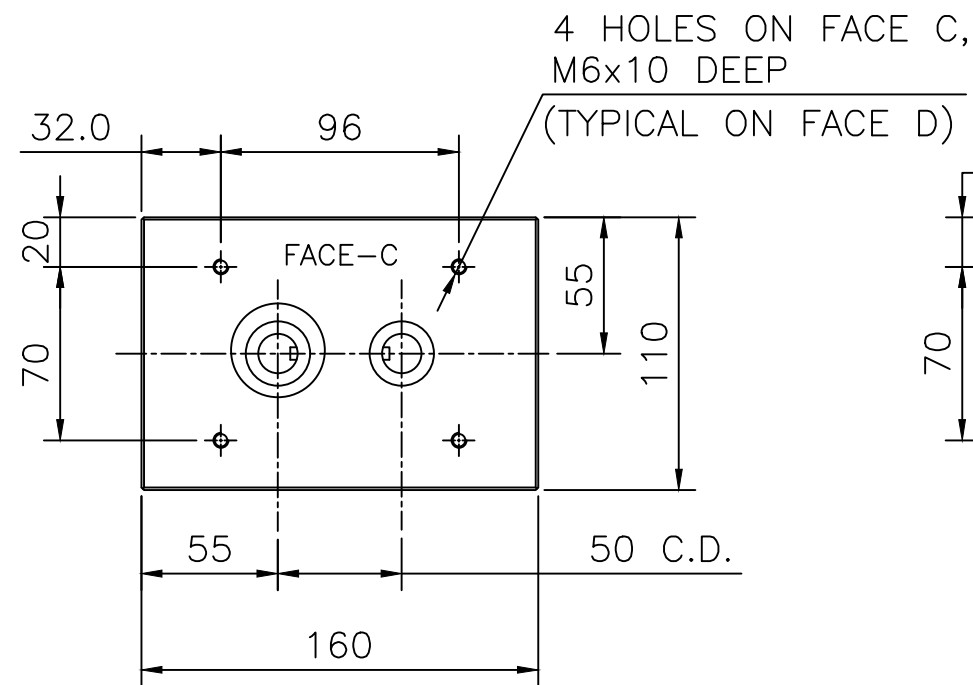
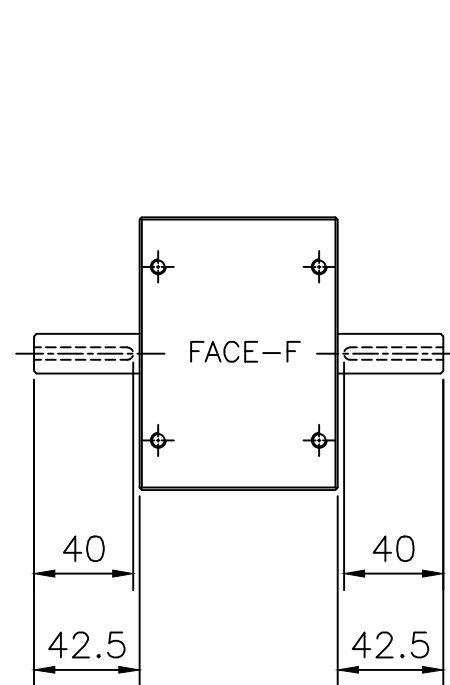


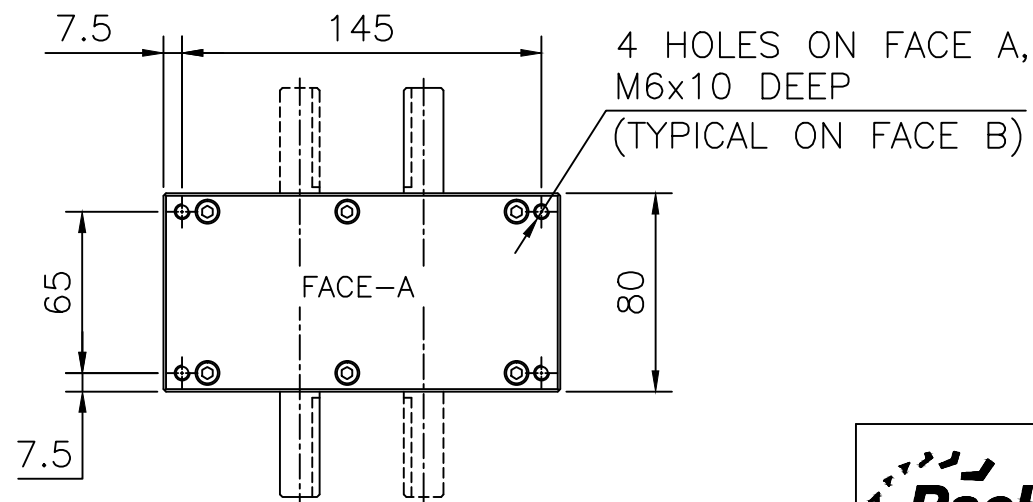
INPUT SHAFT PROJECTION -1
 BOTH ENDS PROJECTION -3
 INPUT SHAFT PROJECTION -2



INPUT & OUTPUT SHAFT KEYWAY



KEYWAY WILL BE IN THIS POSITION WHEN CAM IS IN CENTRE OF DWELL. INPUT SHAFT MAY ROTATE IN EITHER DIRECTION & PRODUCES OPPOSITE OUTPUT SHAFT ROTATION



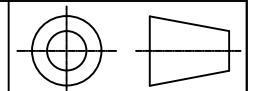
- NOTES :
- 1) MOUNTING POSITION AND MOUNTING FACE IS TO BE DEFINED BEFORE ORDERING.
 - 2) DIRECTION OF ROTATION OF OUTPUT SHAFT IS OPPOSITE TO THE DIRECTION OF ROTATION OF INPUT SHAFT.
 - 3) SHAFT PROJECTIONS 1 & 8 ARE STANDARD.

ALL DIMENSIONS ARE IN mm UNLESS OTHERWISE SPECIFIED



PACKAM CONTROLS PRIVATE LIMITED

PREMIUM PACKAM SERIES
 STD INSTALLATION DRG-PC50-S (SHAFT TYPE)



DRAWN BY PMB	CHECKED BY SN	DATE 03.08.16	SCALE ~	DRAWING No. PC050S-H-S-001-X	ISSUE 2
-----------------	------------------	------------------	------------	---------------------------------	------------