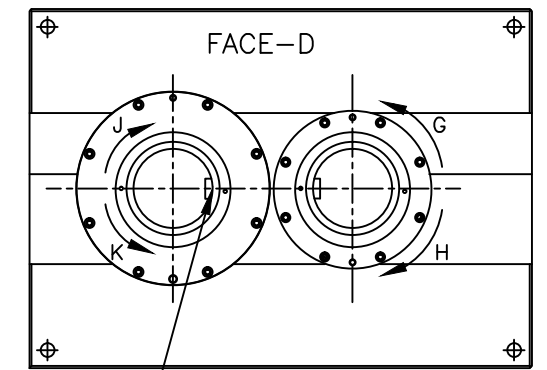
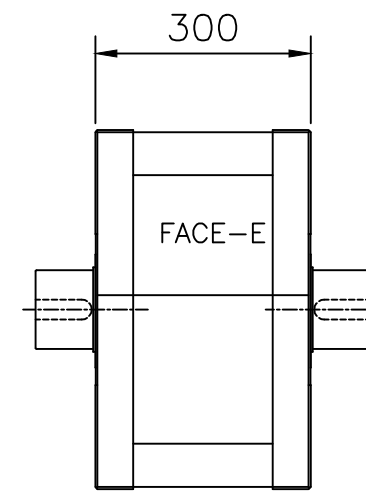
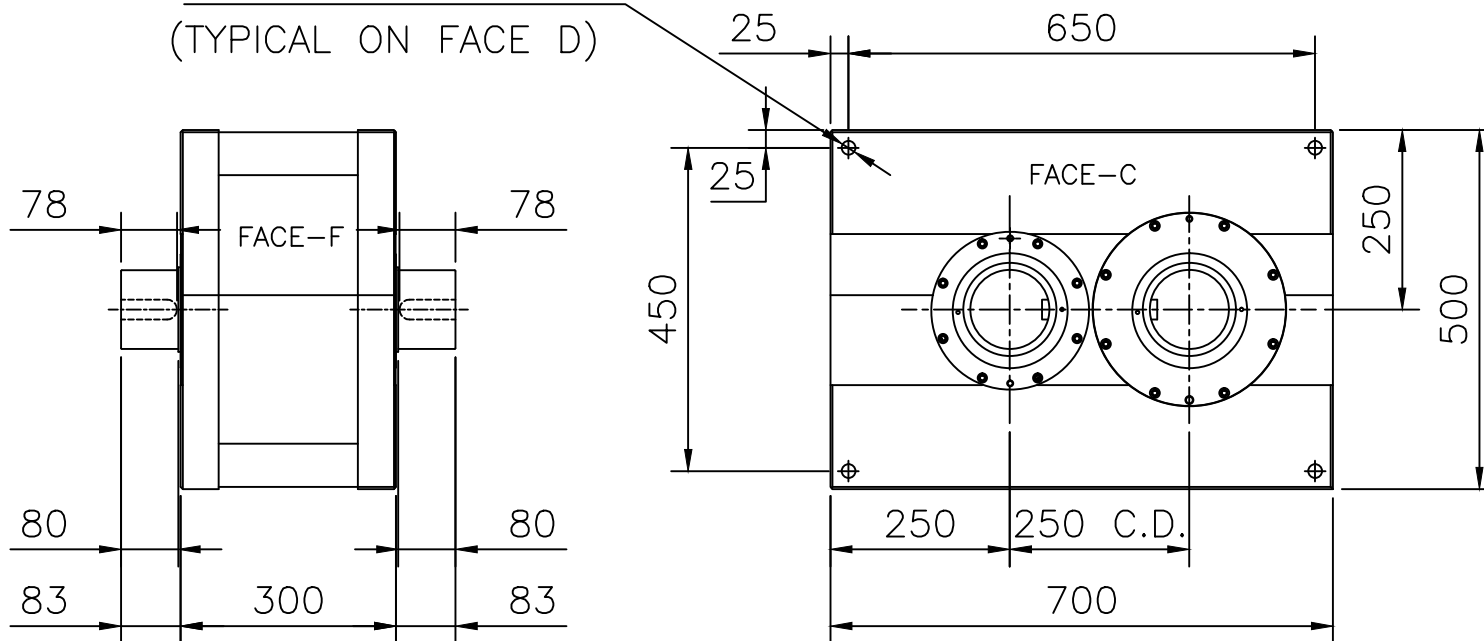
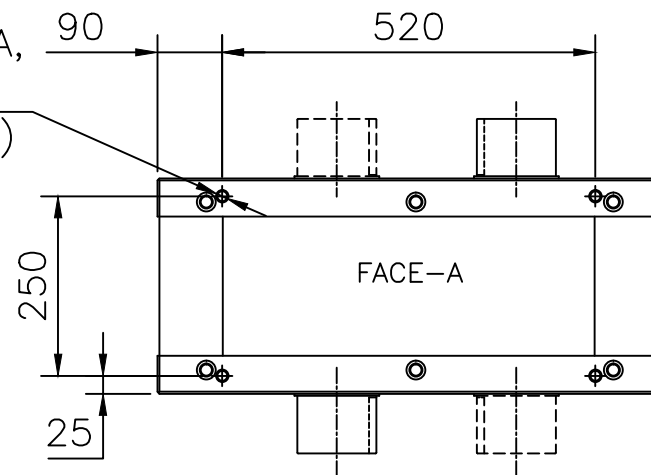


4 HOLES ON FACE C,
Ø19 THR'U
(TYPICAL ON FACE D)



KEYWAY WILL BE IN THIS POSITION WHEN CAM IS IN CENTRE OF DWELL. INPUT SHAFT MAY ROTATE IN EITHER DIRECTION & PRODUCES OPPOSITE OUTPUT SHAFT ROTATION

4 HOLES ON FACE A,
M16x30 DEEP
(TYPICAL ON FACE B)

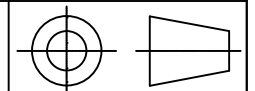


- NOTES :
- 1) MOUNTING POSITION AND MOUNTING FACE IS TO BE DEFINED BEFORE ORDERING.
 - 2) DIRECTION OF ROTATION OF OUTPUT SHAFT IS OPPOSITE TO THE DIRECTION OF ROTATION OF INPUT SHAFT.
 - 3) SHAFT PROJECTIONS 1 & 8 ARE STANDARD.



PACKAM CONTROLS PRIVATE LIMITED

PREMIUM PACKAM SERIES
STD INSTALLATION DRG- PC250-S (SHAFT TYPE)



ALL DIMENSIONS ARE IN mm UNLESS OTHERWISE SPECIFIED

DRAWN BY PMB	CHECKED BY SN	DATE 03.08.16	SCALE ~	DRAWING No. PC250S-H-S-001-X	ISSUE 2
-----------------	------------------	------------------	------------	---------------------------------	------------