

INPUT SHAFT PROJECTION -1

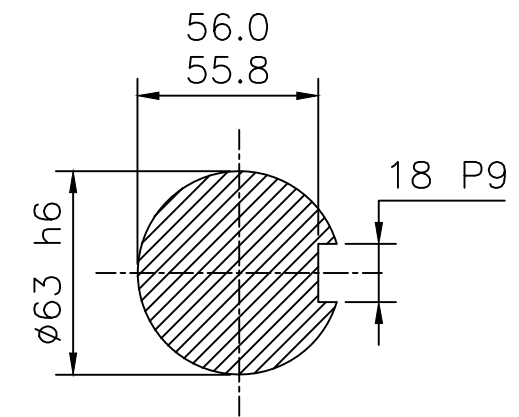
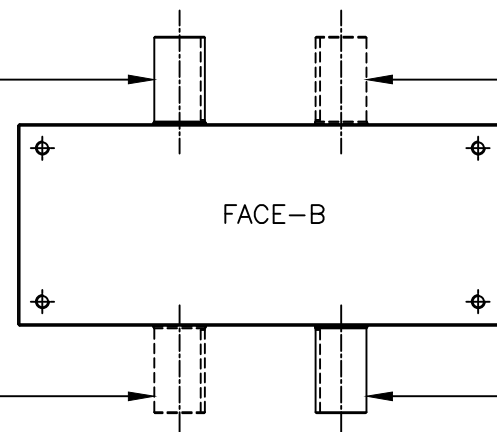
BOTH ENDS PROJECTION -3

INPUT SHAFT PROJECTION -2

OUTPUT SHAFT PROJECTION -7

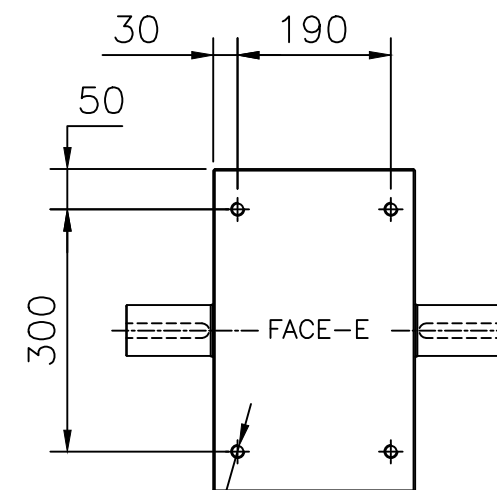
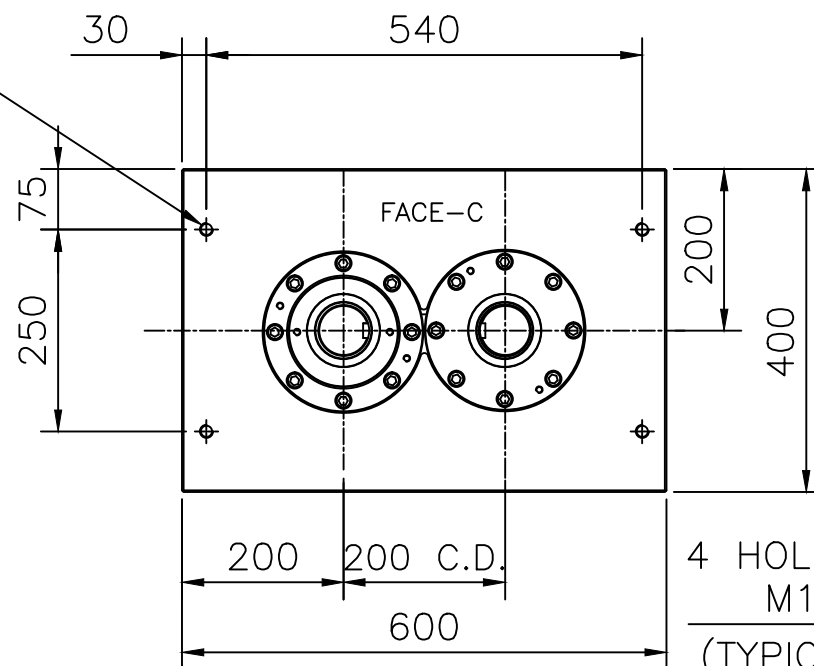
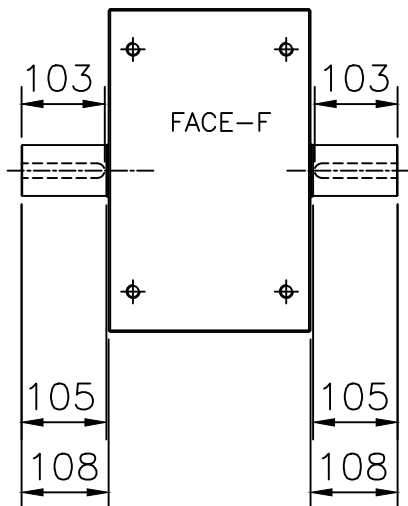
BOTH ENDS PROJECTION -9

OUTPUT SHAFT PROJECTION -8

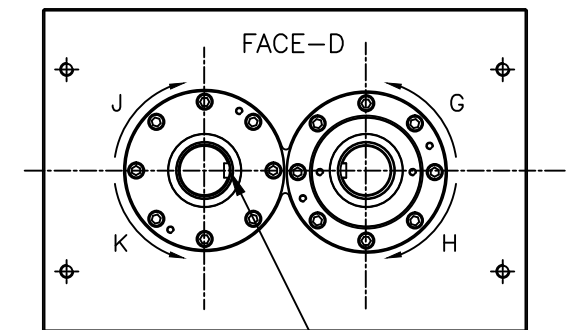


INPUT & OUTPUT SHAFT KEYWAY

4 HOLES ON FACE C,
M16x25 DEEP
(TYPICAL ON FACE-D)

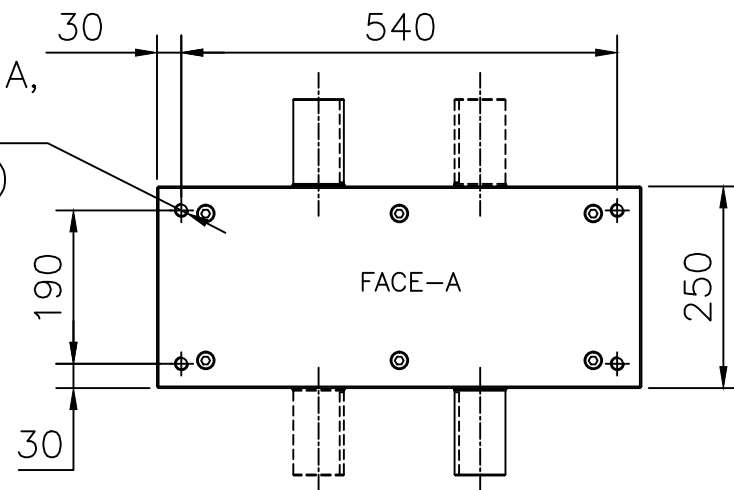


4 HOLES ON FACE E,
M16x25 DEEP
(TYPICAL ON FACE-F)



KEYWAY WILL BE IN THIS POSITION WHEN CAM IS IN CENTRE OF DWELL. INPUT SHAFT MAY ROTATE IN EITHER DIRECTION & PRODUCES OPPOSITE OUTPUT SHAFT ROTATION

4 HOLES ON FACE A,
M16x25 DEEP
(TYPICAL ON FACE-B)



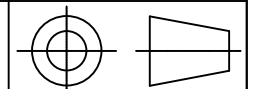
NOTES :

- 1) MOUNTING POSITION AND MOUNTING FACE IS TO BE DEFINED BEFORE ORDERING.
- 2) DIRECTION OF ROTATION OF OUTPUT SHAFT IS OPPOSITE TO THE DIRECTION OF ROTATION OF INPUT SHAFT.
- 3) SHAFT PROJECTIONS 1 & 8 ARE STANDARD.



PACKAM CONTROLS PRIVATE LIMITED

PREMIUM PACKAM SERIES
STD INSTALLATION DRG- PC200-S (SHAFT TYPE)



ALL DIMENSIONS ARE IN mm UNLESS OTHERWISE SPECIFIED

DRAWN BY PMB	CHECKED BY SN	DATE 17.10.16	SCALE ~	DRAWING No. PC200S-H-S-001-X	ISSUE 2
-----------------	------------------	------------------	------------	---------------------------------	------------

KINDLY CONTACT PACKAM FOR LATEST VERSION