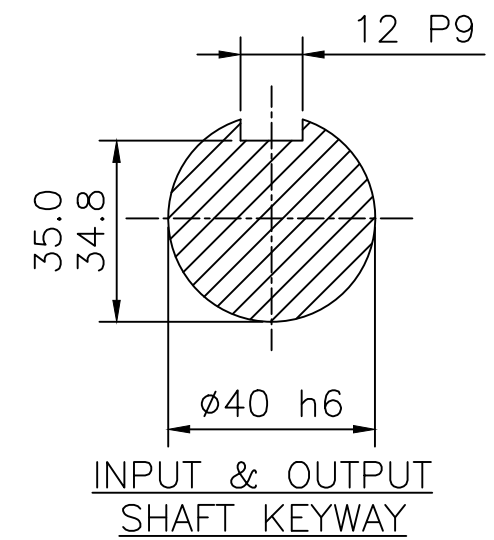
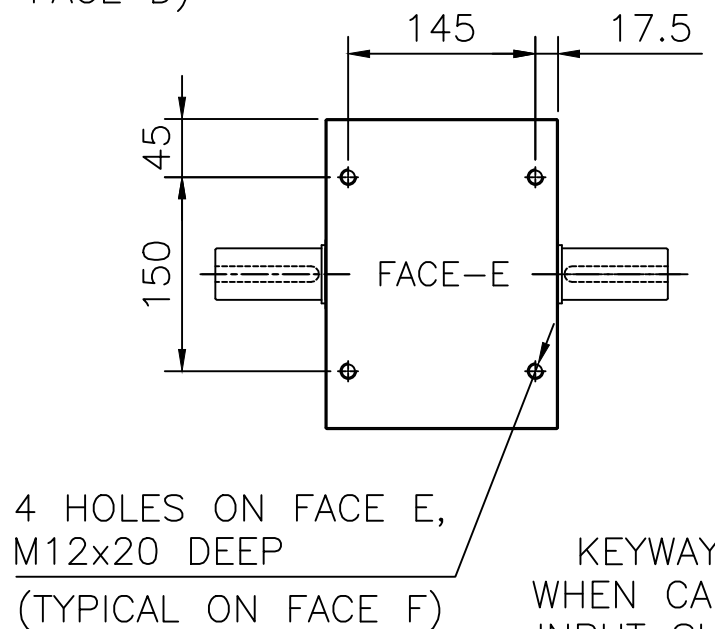
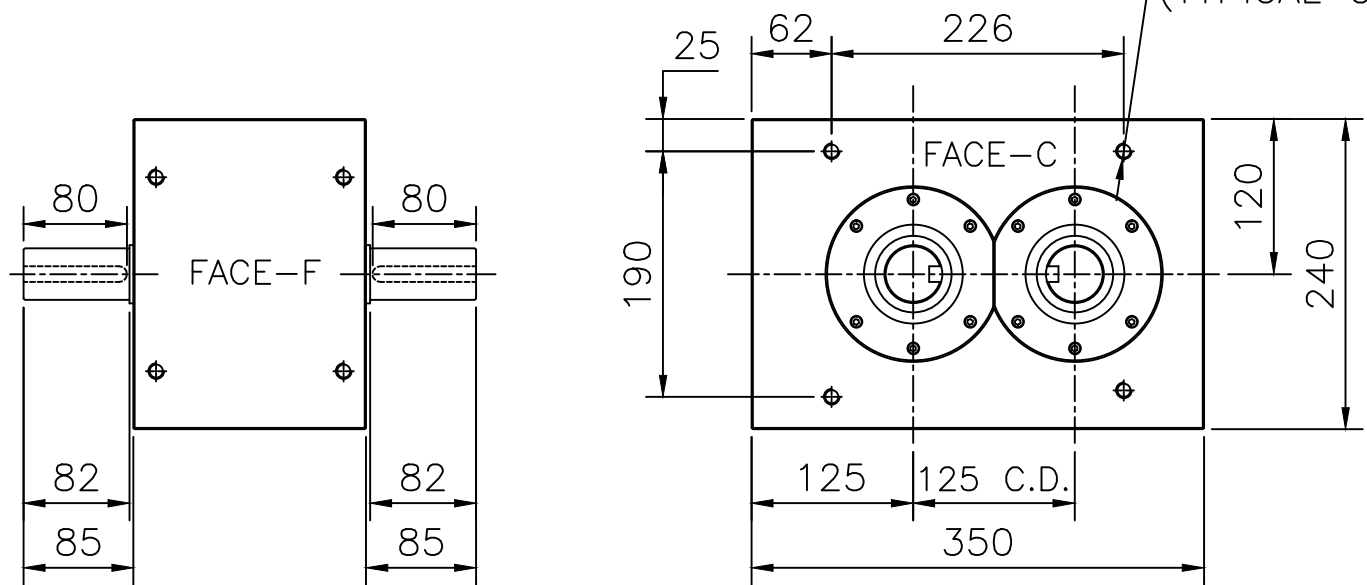


INPUT SHAFT PROJECTION -1  
 BOTH ENDS PROJECTION -3  
 INPUT SHAFT PROJECTION -2

OUTPUT SHAFT PROJECTION -7  
 BOTH ENDS PROJECTION -9  
 OUTPUT SHAFT PROJECTION -8

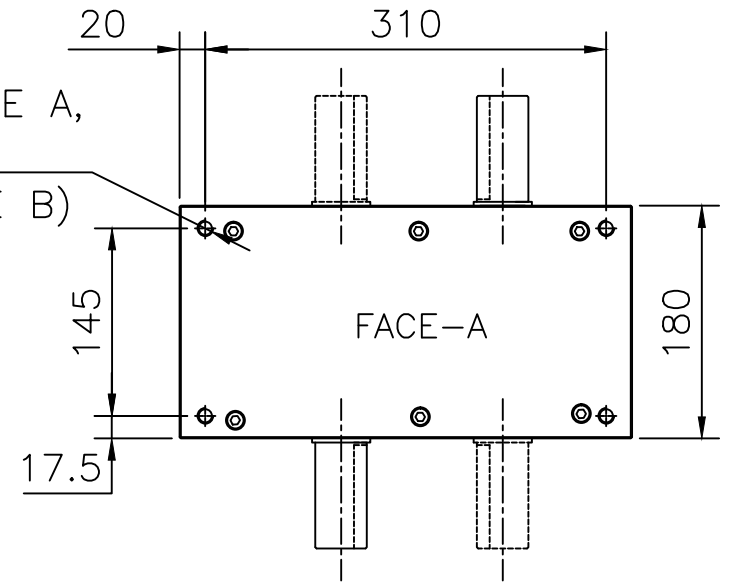


4 HOLES ON FACE C,  
 M12x20 DEEP  
 (TYPICAL ON FACE D)



KEYWAY WILL BE IN THIS POSITION WHEN CAM IS IN CENTRE OF DWELL. INPUT SHAFT MAY ROTATE IN EITHER DIRECTION & PRODUCES OPPOSITE OUTPUT SHAFT ROTATION

4 HOLES ON FACE A,  
 M12x20 DEEP  
 (TYPICAL ON FACE B)



NOTES :

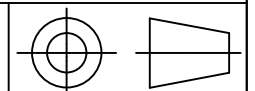
- 1) MOUNTING POSITION AND MOUNTING FACE IS TO BE DEFINED BEFORE ORDERING.
- 2) DIRECTION OF ROTATION OF OUTPUT SHAFT IS OPPOSITE TO THE DIRECTION OF ROTATION OF INPUT SHAFT.
- 3) SHAFT PROJECTIONS 1 & 8 ARE STANDARD.

ALL DIMENSIONS ARE IN mm UNLESS OTHERWISE SPECIFIED



PACKAM CONTROLS PRIVATE LIMITED

PREMIUM PACKAM SERIES  
 STD INSTALLATION DRG- PC125-S (SHAFT TYPE)



DRAWN BY PMB	CHECKED BY SN	DATE 03.08.16	SCALE ~	DRAWING No. PC125S-H-S-001-X	ISSUE 2
-----------------	------------------	------------------	------------	---------------------------------	------------