

INPUT SHAFT PROJECTION -1

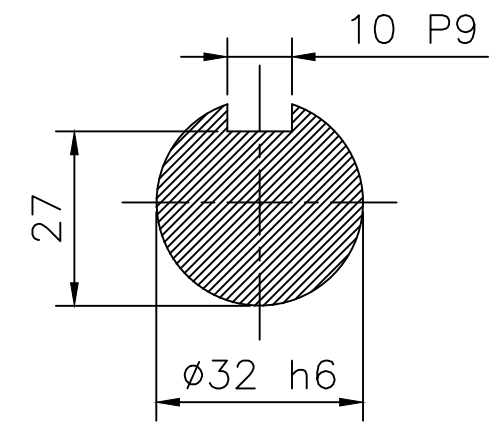
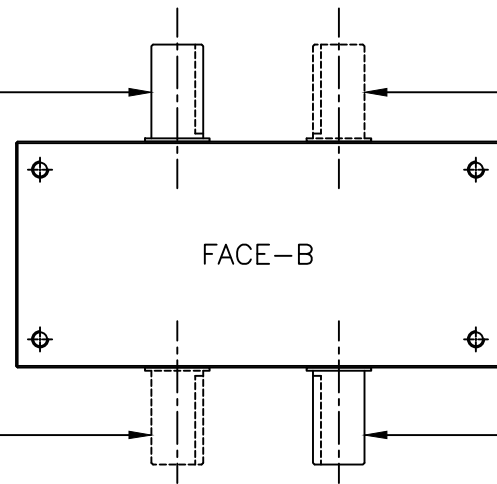
BOTH ENDS PROJECTION -3

INPUT SHAFT PROJECTION -2

OUTPUT SHAFT PROJECTION -7

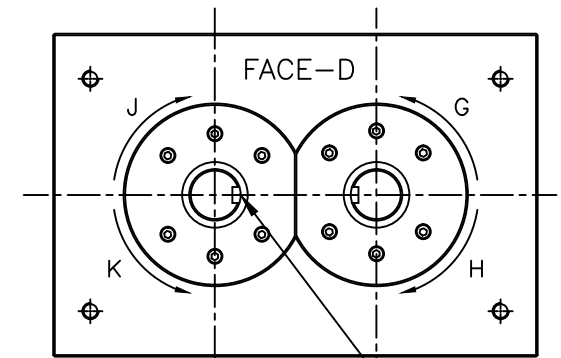
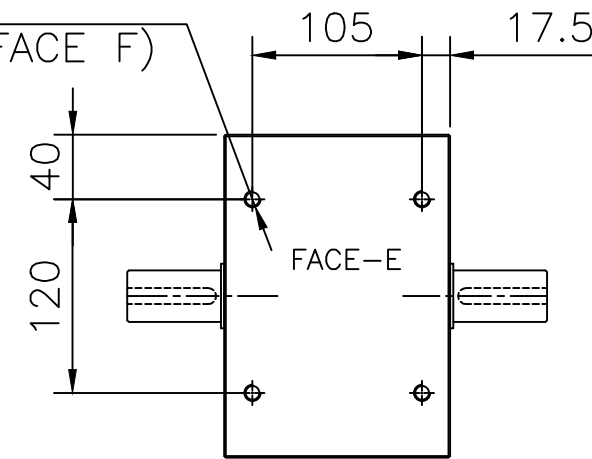
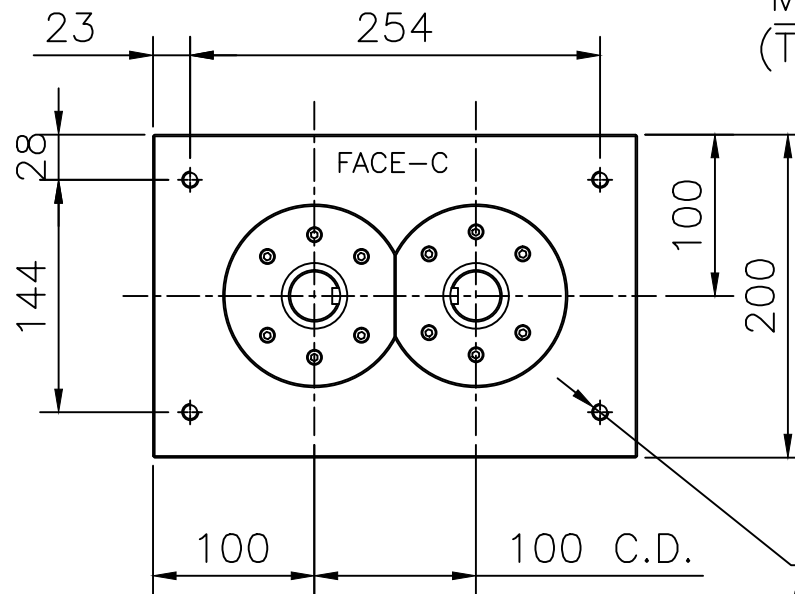
BOTH ENDS PROJECTION -9

OUTPUT SHAFT PROJECTION -8



INPUT & OUTPUT SHAFT KEYWAY

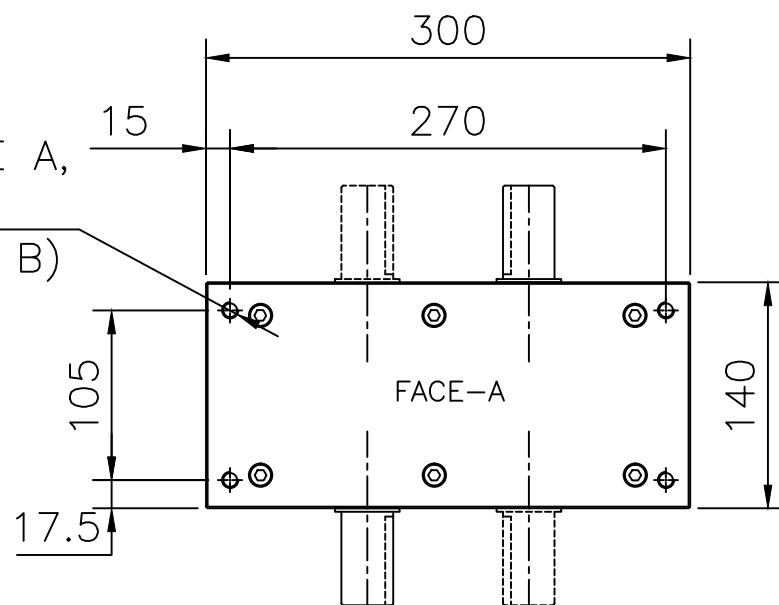
4 HOLES ON FACE E, M10x16 DEEP (TYPICAL ON FACE F)



4 HOLES ON FACE C, M10x16 DEEP (TYPICAL ON FACE D)

KEYWAY WILL BE IN THIS POSITION WHEN CAM IS IN CENTRE OF DWELL. INPUT SHAFT MAY ROTATE IN EITHER DIRECTION & PRODUCES OPPOSITE OUTPUT SHAFT ROTATION

4 HOLES ON FACE A, M10x16 DEEP (TYPICAL ON FACE B)



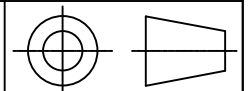
NOTES :

- 1) MOUNTING POSITION AND MOUNTING FACE IS TO BE DEFINED BEFORE ORDERING.
- 2) DIRECTION OF ROTATION OF OUTPUT SHAFT IS OPPOSITE TO THE DIRECTION OF ROTATION OF INPUT SHAFT.
- 3) SHAFT PROJECTIONS 1 & 8 ARE STANDARD.



PACKAM CONTROLS PRIVATE LIMITED

PREMIUM PACKAM SERIES
STD INSTALLATION DRG-GC100-S (SHAFT TYPE)



ALL DIMENSIONS ARE IN mm UNLESS OTHERWISE SPECIFIED

DRAWN BY PMB	CHECKED BY SN	DATE 03.08.16	SCALE ~	DRAWING No. PC100S-H-S-001-X	ISSUE 2
-----------------	------------------	------------------	------------	---------------------------------	------------

KINDLY CONTACT PACKAM FOR LATEST VERSION