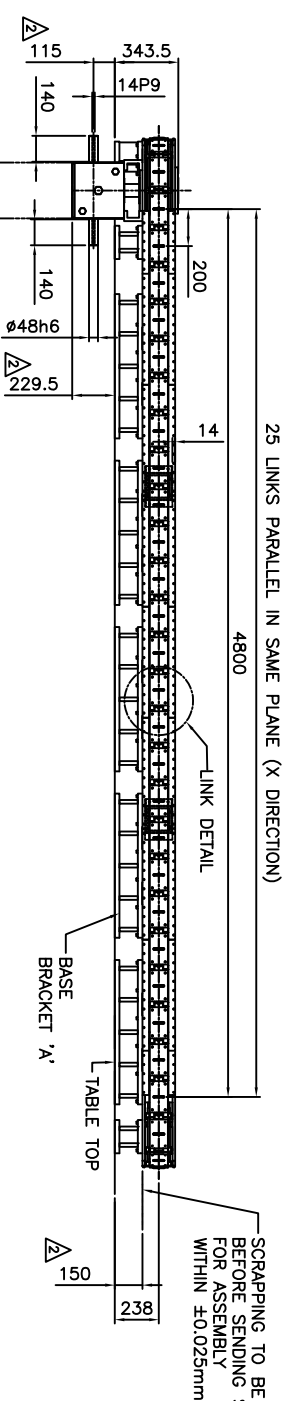
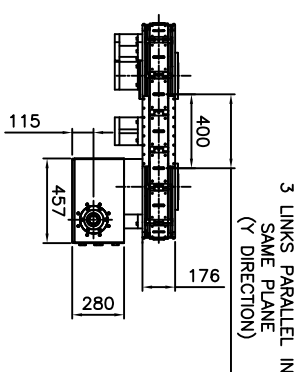


25 LINKS PARALLEL IN SAME PLANE (X DIRECTION)



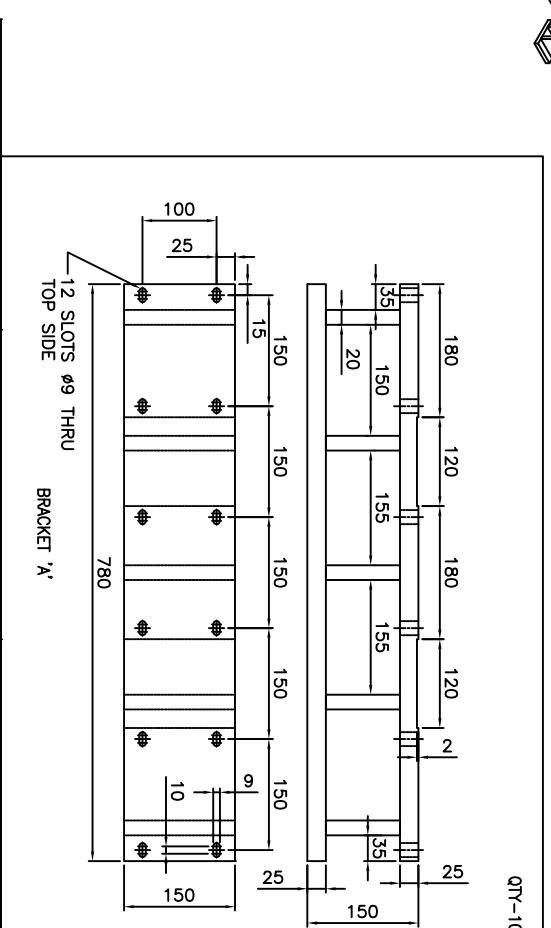
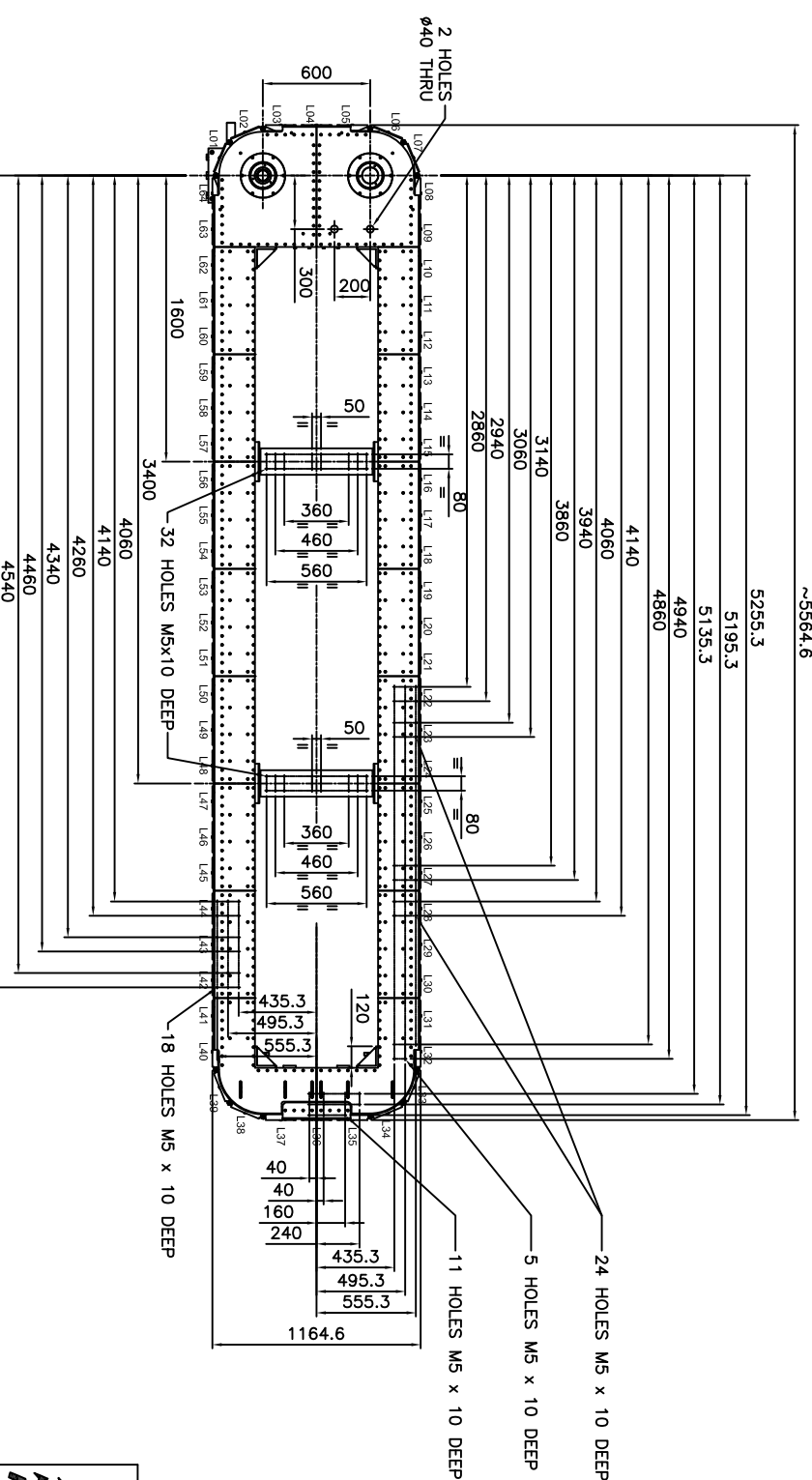
3 LINKS PARALLEL IN SAME PLANE (Y DIRECTION)



THIS SUPPORT IS PART OF STRUCTURE & SHOULD BE BOLTED WITH STRUCTURE (ABLE TO REMOVE)

SCRAPPING TO BE DONE BEFORE SENDING STRUCTURE WITHIN ±0.025mm

~5564.6

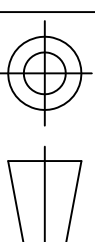


No.	DATE	REVISION DESCRIPTION	DRAWN	CHECKED
2	29.10.21	i) All Bracket modified ii) Indexer shifted from 180 to 229.5	PMB	KP
1	21.10.21	MODIFIED	PMB	KP
		REVISION DESCRIPTION		

PACKAM CONTROLS PRIVATE LIMITED

PREMIUM PACKAM SERIES

LR200-64 LINKS WITH GC180



DRAWN BY PMB

CHECKED BY KP

DATE 07.09.21

SCALE NTS

DRAWING No. LR200-64-S-01-X

ISSUE 3

ALL DIMENSIONS ARE IN mm UNLESS OTHERWISE SPECIFIED