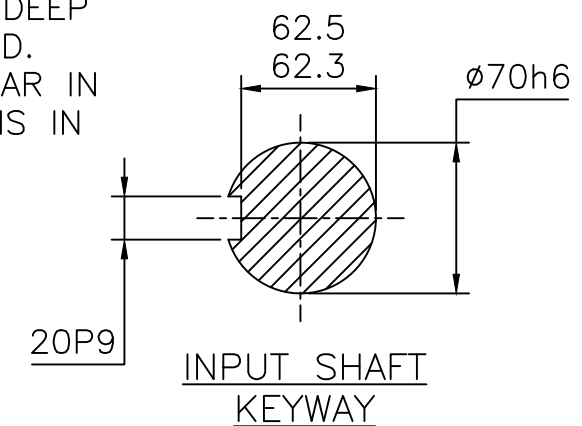


6 OUTPUT HOLES M16X32 DEEP
EQUI-SPACED ON 350 P.C.D.
A TAPPED HOLE WILL APPEAR IN
THIS POSITION WHEN CAM IS IN
DWELL



2 HOLES ON FACE B, Ø15.5 TO SUIT Ø16 DOWELS

6 HOLES ON FACE A
M12x25 DEEP EQUISPACED ON 550 P.C.D.

2 PILOT HOLES
FOR DOWEL PINS Ø7 x 15 DEEP
180° APART

NOTE- MOUNTING HOLES TO BE PROVIDED ONLY ON
MOUNTING FACE

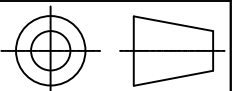
INDEXING PLATE MOUNTING FACE, INDEXING FLANGE
(Ø 400) IS INDICATED IN BLUE COLOR.

ALL DIMENSIONS ARE IN mm UNLESS OTHERWISE SPECIFIED



PACKAM CONTROLS PRIVATE LIMITED

PREMIUM PACKAM SERIES
STD INSTALLATION DRG- HD315-H (HOLLOW TYPE)



DRAWN BY PMB	CHECKED BY SN	DATE 03.08.16	SCALE ~	DRAWING No. HD315F-H-S-001-X	ISSUE 3
-----------------	------------------	------------------	------------	---------------------------------	------------