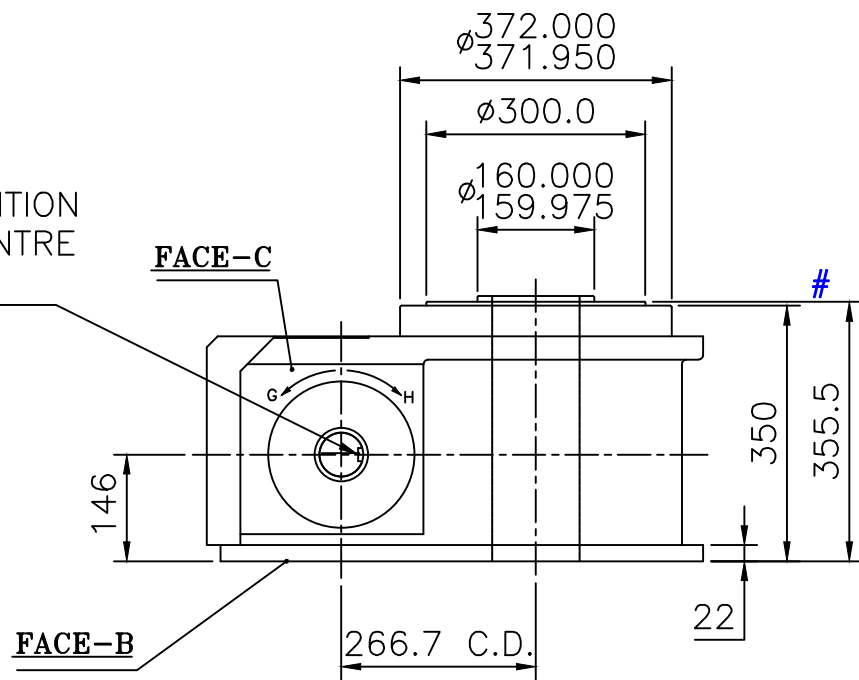
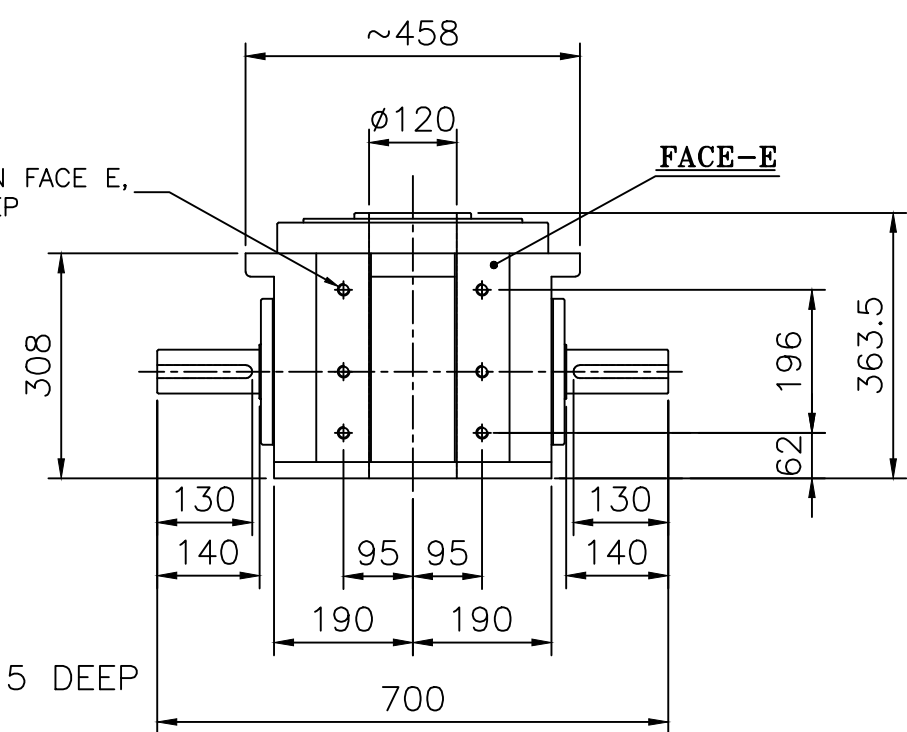


KEYWAY IN THIS POSITION WHEN CAM IS IN CENTRE OF DWELL



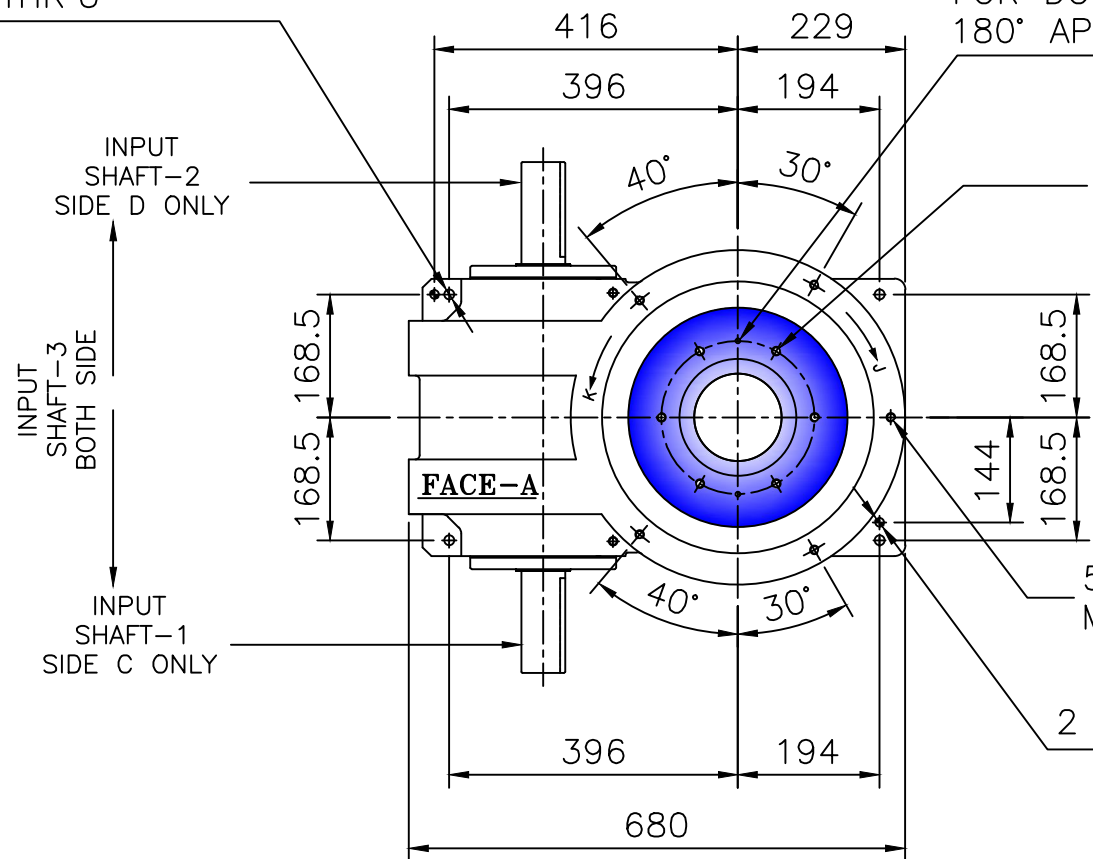
6 HOLES ON FACE E, M16x25 DEEP



4 HOLES ON FACE B,  $\phi 14.0$  THR'U

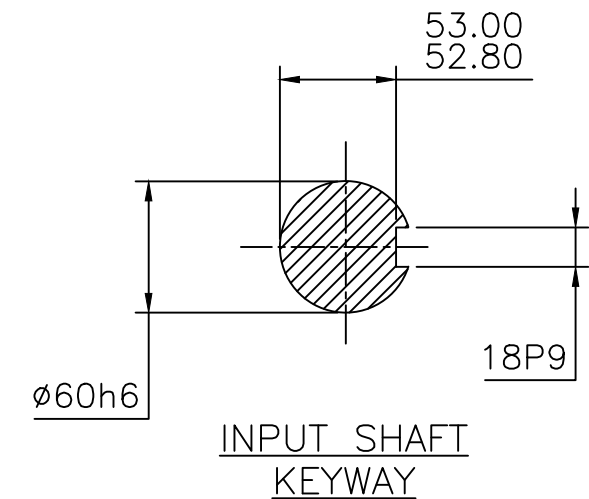
2 PILOT HOLES FOR DOWEL PINS  $\phi 7 \times 15$  DEEP 180° APART

6-HOLES TAPPED M12x20 DEEP EQUISPACED ON 210 P.C.D. A TAPPED HOLES WILL APPEAR IN THIS POSITION WHEN CAM IS IN DWELL.



5 HOLES ON FACE A, M12x32mm AS SHOWN ON 419 P.C.D

2 HOLES ON FACE B,  $\phi 11.5$  TO SUIT  $\phi 12$  DOWELS



NOTE- MOUNTING HOLES TO BE PROVIDED ONLY ON MOUNTING FACE

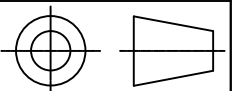
# INDEXING PLATE MOUNTING FACE, INDEXING FLANGE ( $\phi 300$ ) IS INDICATED IN BLUE COLOR.

ALL DIMENSIONS ARE IN mm UNLESS OTHERWISE SPECIFIED



PACKAM CONTROLS PRIVATE LIMITED

PREMIUM PACKAM SERIES  
STD INSTALLATION DRG-HD265-H (HOLLOW TYPE)



DRAWN BY  
PMB

CHECKED BY  
SN

DATE  
14.07.16

SCALE  
~

DRAWING No.  
HD265F-H-S-001-X

ISSUE  
2