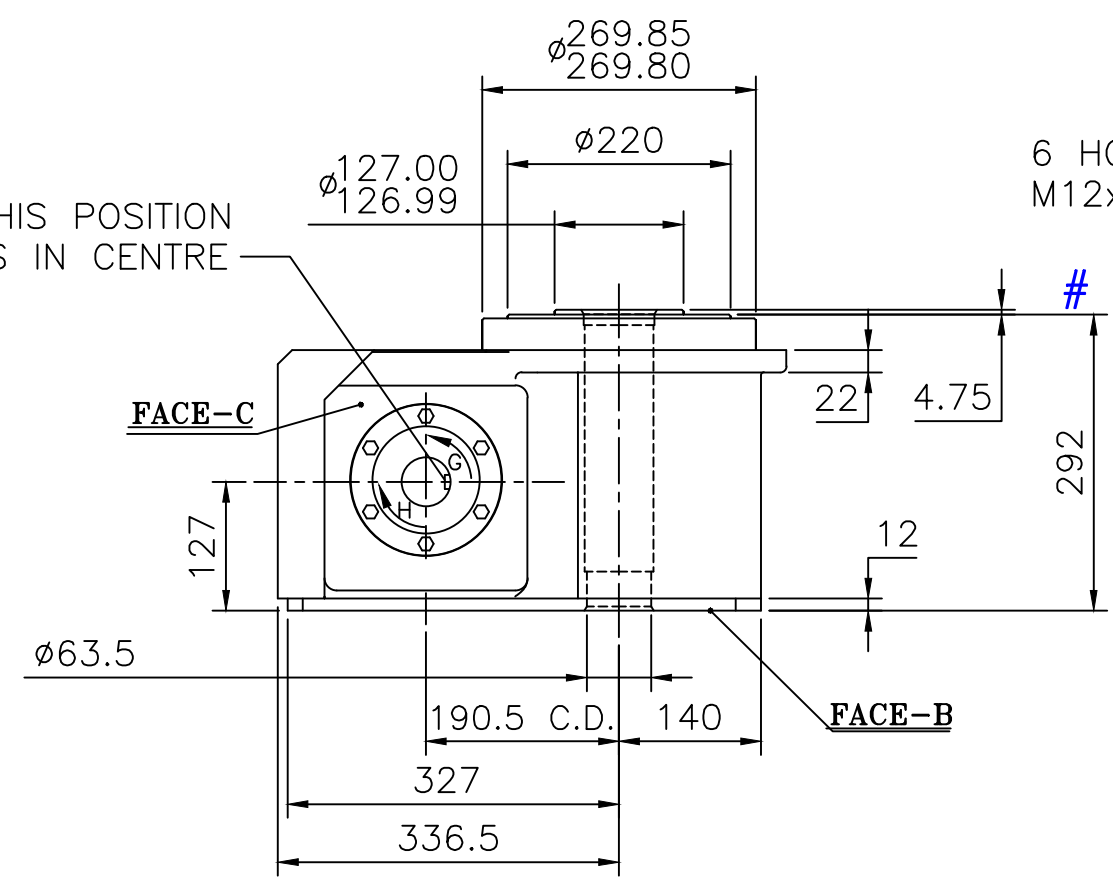
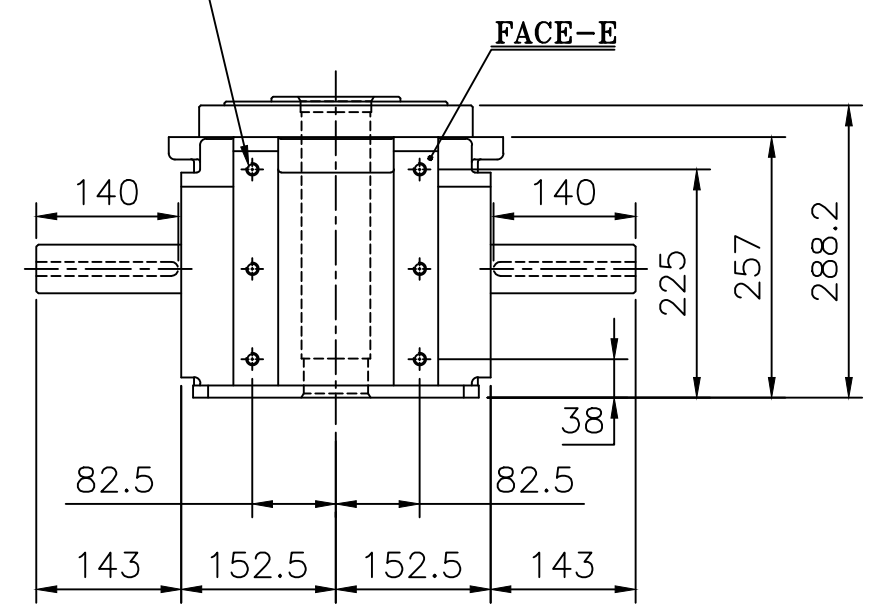


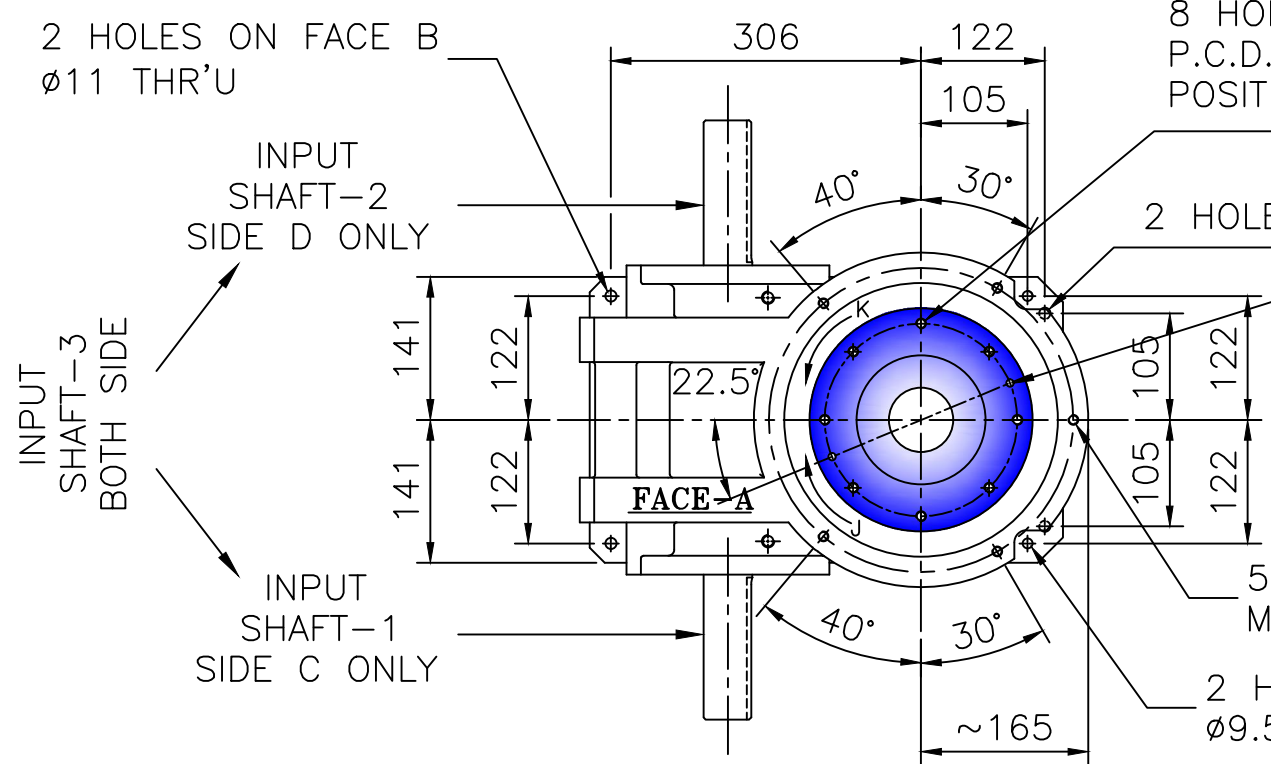
KEYWAY IN THIS POSITION WHEN CAM IS IN CENTRE OF DWELL



6 HOLES ON FACE E
M12x20 DEEP



2 HOLES ON FACE B
Ø11 THR'U



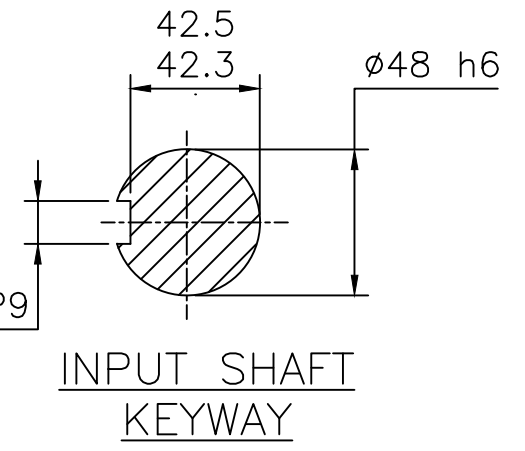
8 HOLES M10x20 DEEP EQUISPACED ON 190 P.C.D. A TAPPED HOLE WILL APPEAR IN THIS POSITION WHEN CAM IS IN DWELL

2 HOLES ON FACE B, Ø11 THR'U

2 PILOT HOLES FOR DOWEL PINS
Ø7 x 15 DEEP
180° APART

5 HOLES ON FACE A
M10x20 DEEP AS SHOWN ON 300 P.C.D


2 HOLES ON FACE B
Ø9.5 TO SUIT Ø10 DOWELS



NOTE- MOUNTING HOLES TO BE PROVIDED ONLY ON MOUNTING FACE

INDEXING PLATE MOUNTING FACE, INDEXING FLANGE (Ø 220) IS INDICATED IN BLUE COLOR.

ALL DIMENSIONS ARE IN mm UNLESS OTHERWISE SPECIFIED

		PACKAM CONTROLS PRIVATE LIMITED			
		PREMIUM PACKAM SERIES STD INSTALLATION DRG- HD190-H (HOLLOW TYPE)			
DRAWN BY PMB	CHECKED BY SN	DATE 03.08.16	SCALE ~	DRAWING No. HD190F-H-S-001-X	ISSUE 3

KINDLY CONTACT PACKAM FOR LATEST VERSION