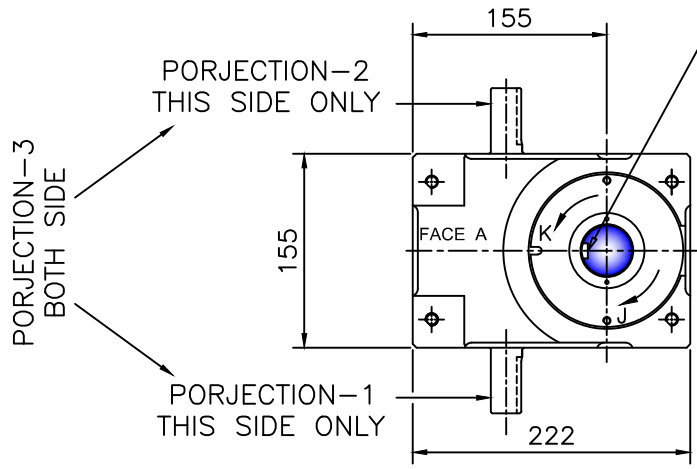


KEYWAYS WILL BE IN THIS POSITION WHEN CAM IS IN CENTRE OF DWELL



- MOUNTING POSITION AND MOUNTING FACE IS TO BE DEFINED BEFORE ORDERING.

INDEXING SHAFT (ø40) IS INDICATED IN BLUE COLOR.

ALL DIMENSIONS ARE IN mm UNLESS OTHERWISE SPECIFIED

		PACKAM CONTROLS PRIVATE LIMITED			
		PREMIUM PACKAM SERIES STD INSTALLATION DRG - GC80-S (SHAFT TYPE)			
DRAWN BY PMB	CHECKED BY SN	DATE 03.08.16	SCALE ~	DRAWING No. GC080S-H-S-001-X	ISSUE 2

KINDLY CONTACT PACKAM FOR LATEST VERSION