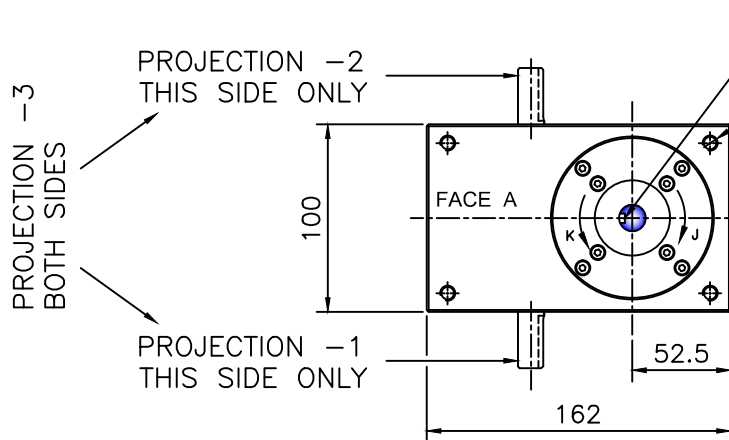


KEYWAYS WILL BE IN THIS POSITION WHEN CAM IS IN CENTRE OF DWELL



4 HOLES ON FACE A,
M8x12 DEEP

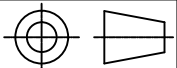
- MOUNTING POSITION AND MOUNTING FACE IS TO BE DEFINED BEFORE ORDERING.

ø40 ON OUTPUT IS STATIONARY PART, INDEXING SHAFT (ø14) IS INDICATED IN BLUE COLOR.



PACKAM CONTROLS PRIVATE LIMITED

PREMIUM PACKAM SERIES
STD INSTALLATION DRG - GC50-S(SHAFT TYPE)



ALL DIMENSIONS ARE IN mm UNLESS OTHERWISE SPECIFIED

DRAWN BY PMB	CHECKED BY SN	DATE 03.08.2016	SCALE ~	DRAWING No. GC050S-H-S-001-X	ISSUE 2
-----------------	------------------	--------------------	------------	---------------------------------	------------

KINDLY CONTACT PACKAM FOR LATEST VERSION