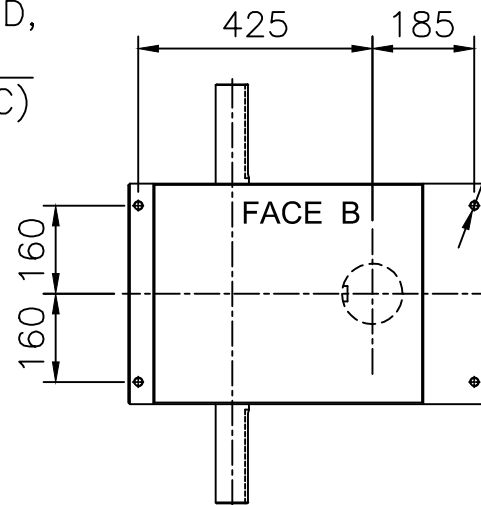
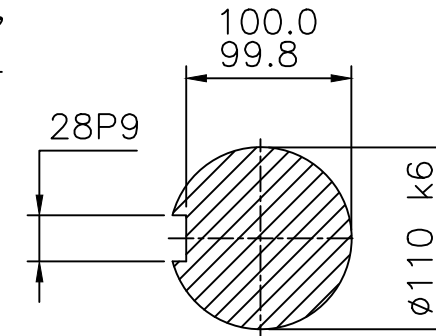


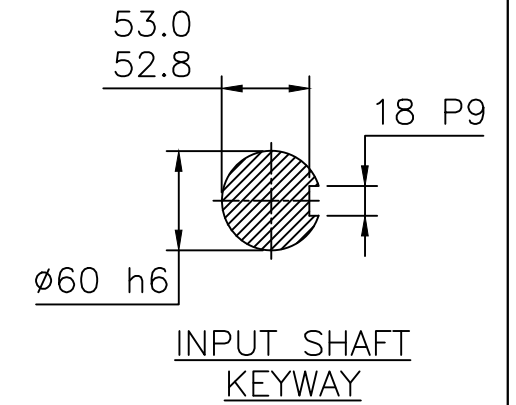
4 HOLES ON FACE D,
M16x25 DEEP
(TYPICAL ON FACE C)



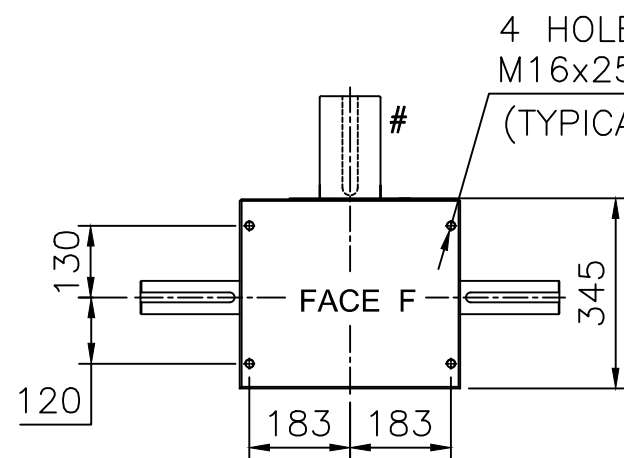
4 HOLES ON FACE B,
M16x25 DEEP
(TYPICAL ON FACE A)



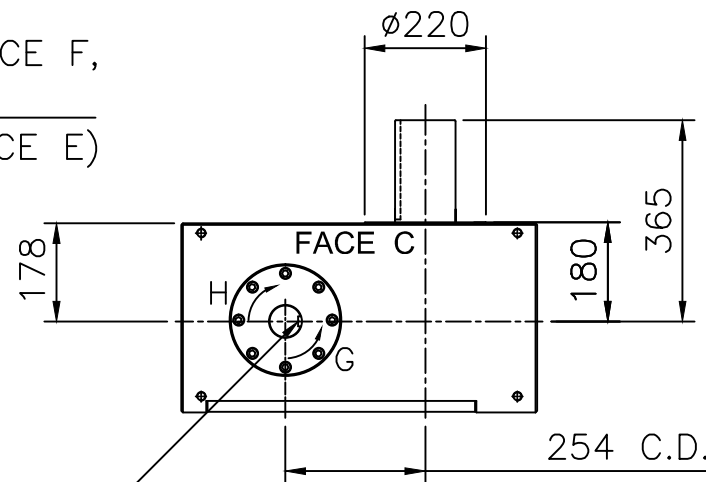
OUTPUT SHAFT
KEYWAY



INPUT SHAFT
KEYWAY

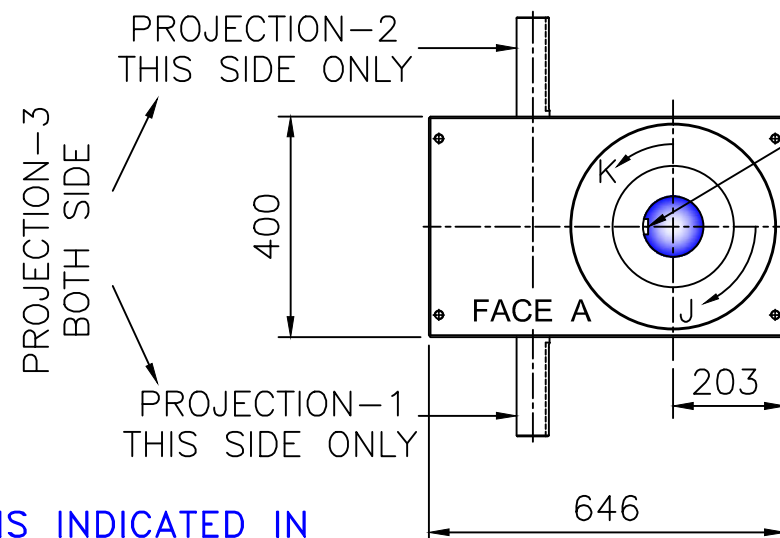
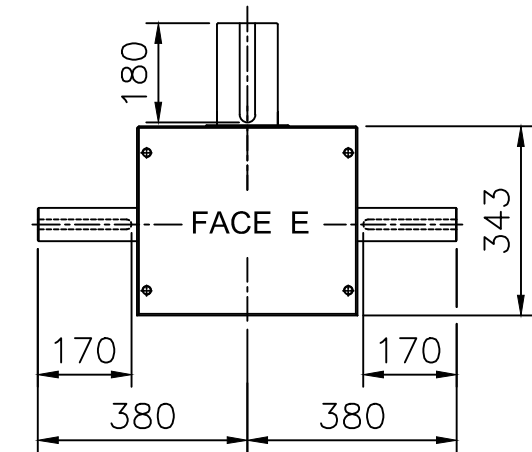


4 HOLES ON FACE F,
M16x25 DEEP
(TYPICAL ON FACE E)



KEYWAY WILL BE IN THIS
POSITION WHEN CAM IS
IN CENTRE OF DWELL

FACE "D" →



A KEYWAY WILL APPEAR IN THIS
POSITION WHEN CAM IS ON DWELL.

NOTE - MOUNTING HOLES TO BE PROVIDED
ONLY ON MOUNTING FACE

INDEXING SHAFT (ø110) IS INDICATED IN
BLUE COLOR.

ALL DIMENSIONS ARE IN mm UNLESS OTHERWISE SPECIFIED

		PACKAM CONTROLS PRIVATE LIMITED			
		PREMIUM PACKAM SERIES STD INSTALLATION DRG- GC250-S (SHAFT TYPE)			
DRAWN BY PMB	CHECKED BY KP	DATE 04.01.2018	SCALE ~	DRAWING No. GC250S-H-S-001-X	ISSUE 1

KINDLY CONTACT PACKAM FOR LATEST VERSION