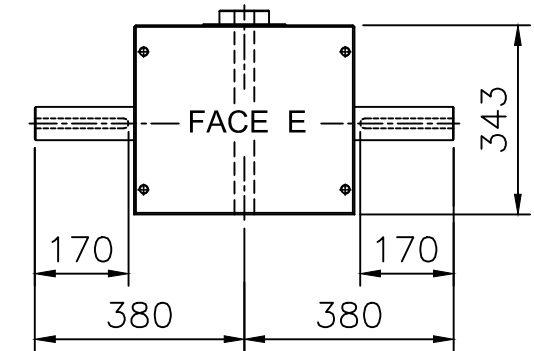
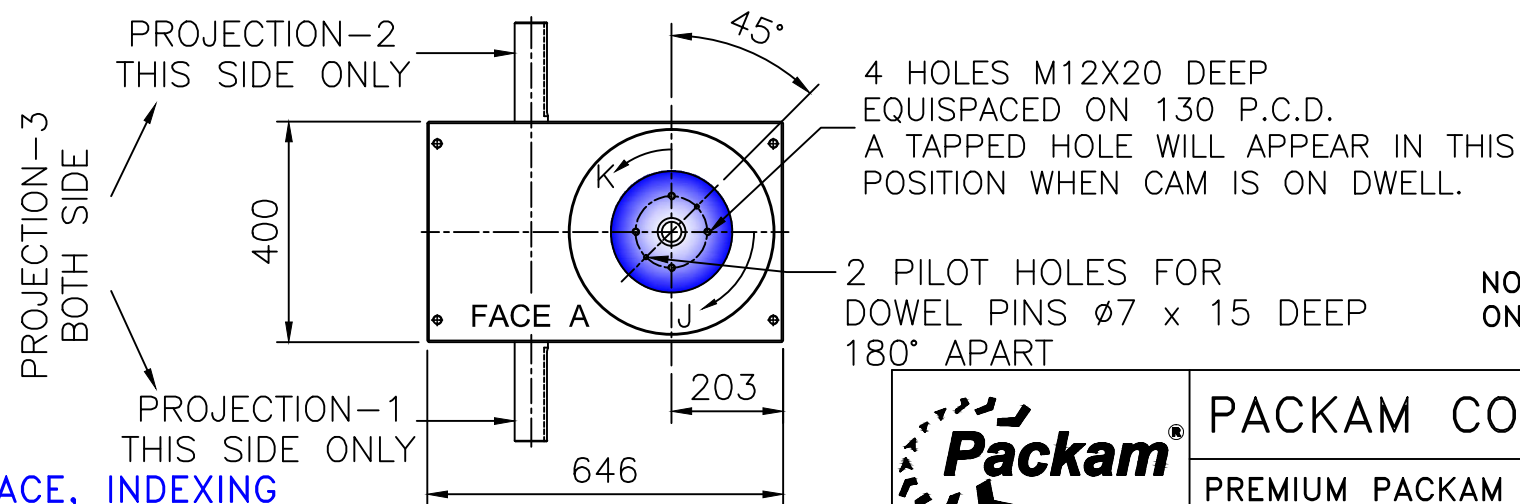


FACE "D" →



KEYWAY WILL BE IN THIS POSITION WHEN CAM IS IN CENTRE OF DWELL



NOTE- MOUNTING HOLES TO BE PROVIDE ONLY ON MOUNTING FACE

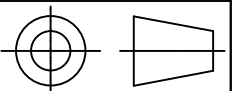
# INDEXING PLATE MOUNTING FACE, INDEXING FLANGE ( $\phi 220$ ) IS INDICATED IN BLUE COLOR.

ALL DIMENSIONS ARE IN mm UNLESS OTHERWISE SPECIFIED



PACKAM CONTROLS PRIVATE LIMITED

PREMIUM PACKAM SERIES  
STD INSTALLATION DRG- GC250-H (HOLLOW TYPE)



DRAWN BY PMB	CHECKED BY SN	DATE 15.11.16	SCALE ~	DRAWING No. GC250F-H-S-101-X	ISSUE 3
-----------------	------------------	------------------	------------	---------------------------------	------------