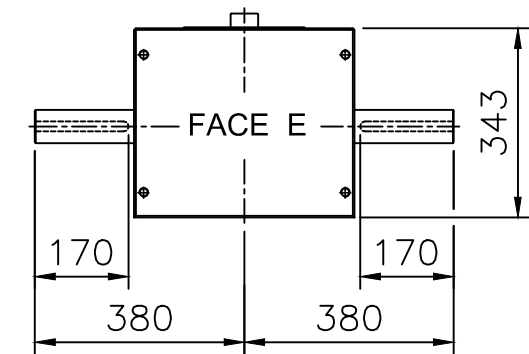
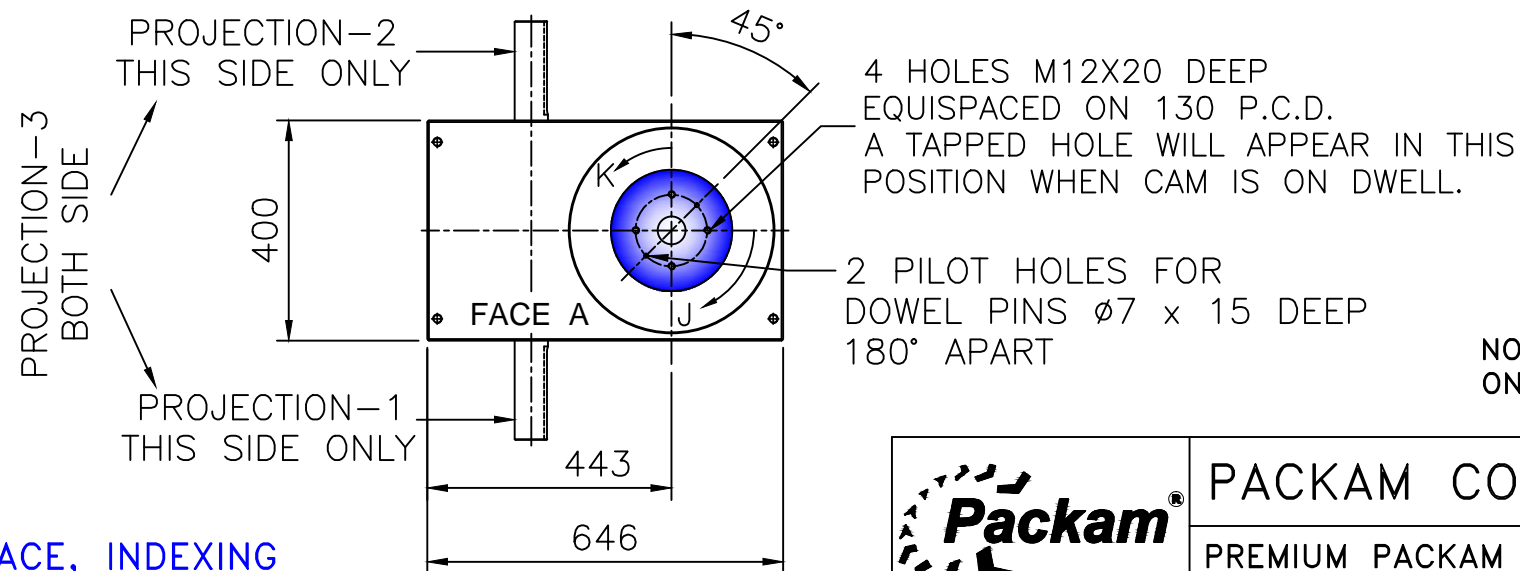


FACE "D" →



KEYWAY WILL BE IN THIS POSITION WHEN CAM IS IN CENTRE OF DWELL



NOTE- MOUNTING HOLES TO BE PROVIDED ONLY ON MOUNTING FACE

# INDEXING PLATE MOUNTING FACE, INDEXING FLANGE (Ø220) IS INDICATED IN BLUE COLOR.

ALL DIMENSIONS ARE IN mm UNLESS OTHERWISE SPECIFIED

		PACKAM CONTROLS PRIVATE LIMITED			
		PREMIUM PACKAM SERIES STD INSTALLATION DRG- GC250-F (FLANGE TYPE)			
DRAWN BY PMB	CHECKED BY SN	DATE 14.07.16	SCALE ~	DRAWING No. GC250F-H-S-001-X	ISSUE 4

KINDLY CONTACT PACKAM FOR LATEST VERSION