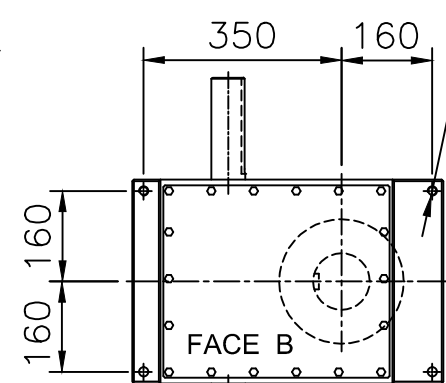
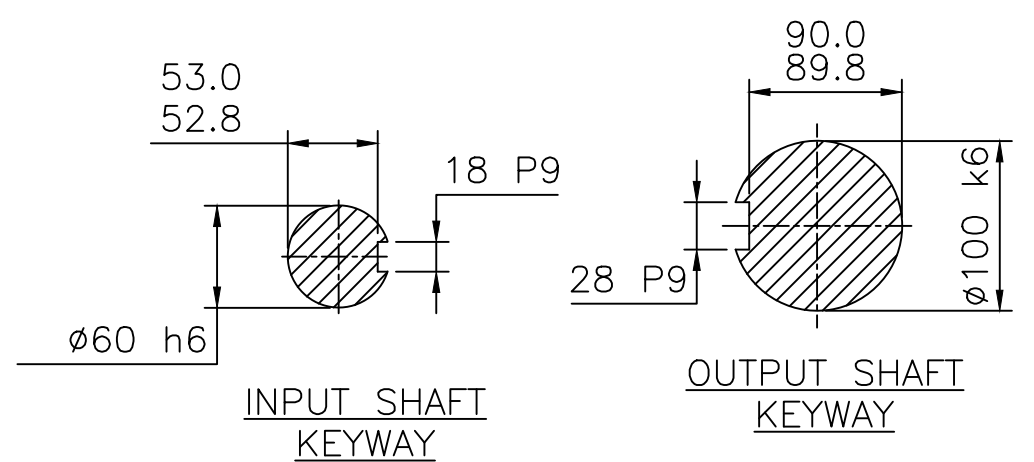


4 HOLES ON FACE D,
M16x25 DEEP
(TYPICAL ON FACE C)

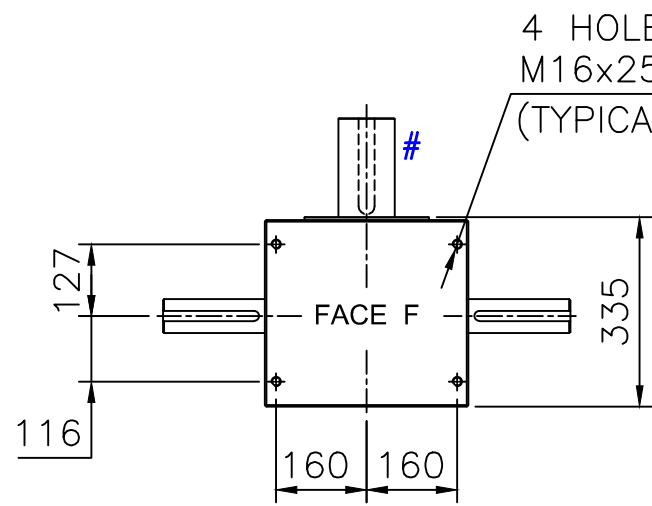


4 HOLES ON FACE B,
M16x25 DEEP
(TYPICAL ON FACE A)

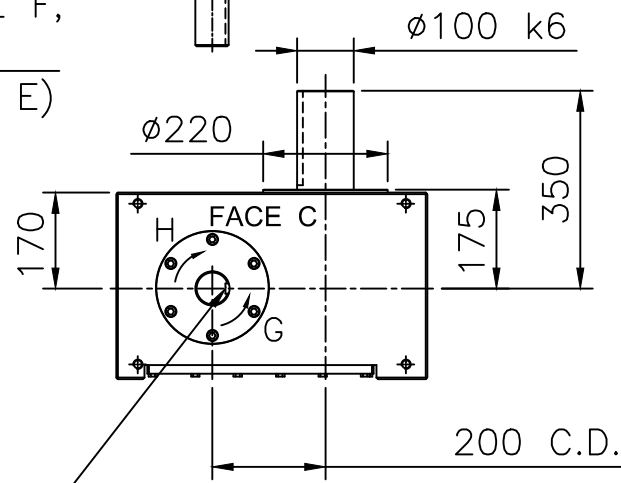


INPUT SHAFT
KEYWAY

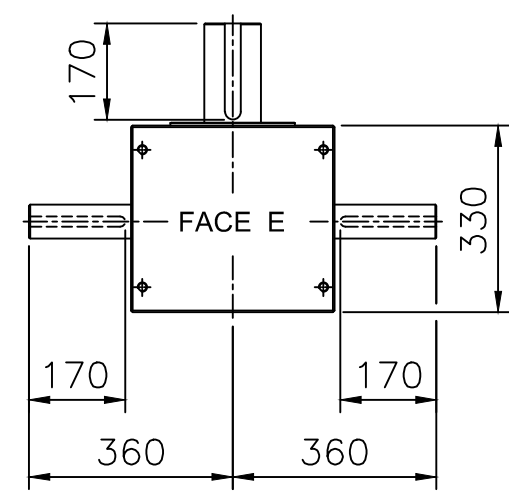
OUTPUT SHAFT
KEYWAY



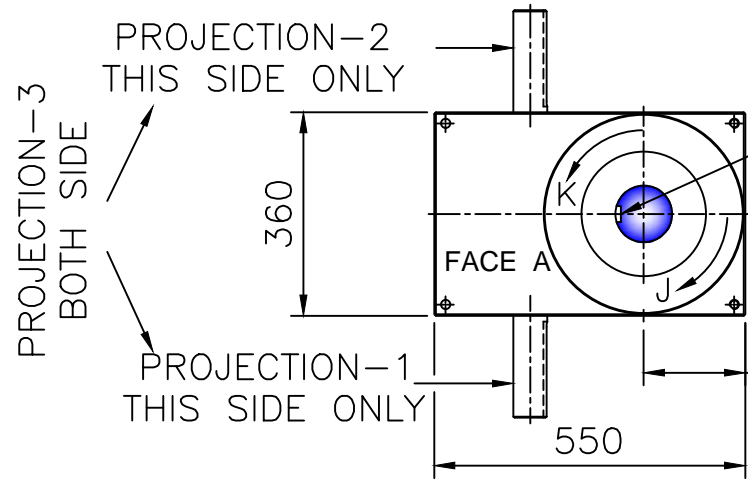
4 HOLES ON FACE F,
M16x25 DEEP
(TYPICAL ON FACE E)



FACE "D" →



KEYWAY WILL BE IN THIS
POSITION WHEN CAM IS
IN CENTRE OF DWELL



KEYWAY WILL BE IN THIS
POSITION WHEN CAM IS
IN CENTRE OF DWELL

- MOUNTING HOLES TO BE PROVIDE ONLY
ON MOUNTING FACE

INDEXING SHAFT (ø100) IS INDICATED IN
BLUE COLOR.

ALL DIMENSIONS ARE IN mm UNLESS OTHERWISE SPECIFIED

		PACKAM CONTROLS PRIVATE LIMITED			
		PREMIUM PACKAM SERIES STD INSTALLATION DRG- GC200-S (SHAFT TYPE)			
DRAWN BY PMB	CHECKED BY SN	DATE 16.11.16	SCALE ~	DRAWING No. GC200F-H-S-001-X	ISSUE 2

KINDLY CONTACT PACKAM FOR LATEST VERSION