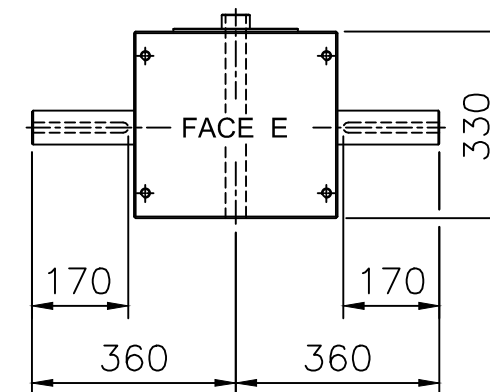
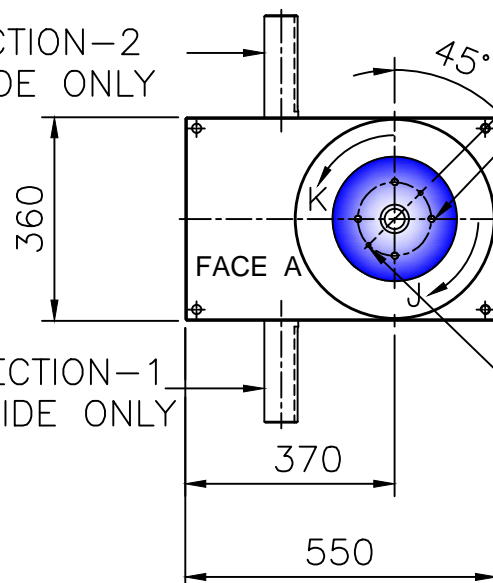


FACE "D" →



KEYWAY WILL BE IN THIS POSITION WHEN CAM IS IN CENTRE OF DWELL

PROJECTION-3 BOTH SIDE
 PROJECTION-2 THIS SIDE ONLY
 PROJECTION-1 THIS SIDE ONLY



4-HOLES TAPPED M12X20 DEEP EQUISPACED ON 130 PCD (A TAPPED HOLE WILL APPEAR IN THIS POSITION WHEN CAM IS ON DWELL.)

2 PILOT HOLES FOR DOWEL PINS $\phi 7 \times 15$ DEEP 180° APART

NOTE- MOUNTING HOLES TO BE PROVIDED ONLY ON MOUNTING FACE

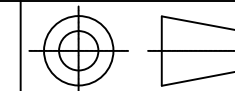
INDEXING PLATE MOUNTING FACE, INDEXING FLANGE ($\phi 220$) IS INDICATED IN BLUE COLOR.

ALL DIMENSIONS ARE IN mm UNLESS OTHERWISE SPECIFIED



PACKAM CONTROLS PRIVATE LIMITED

PREMIUM PACKAM SERIES
 STD INSTALLATION DRG- GC200-H (HOLLOW TYPE)



DRAWN BY PMB	CHECKED BY SN	DATE 15.11.16	SCALE ~	DRAWING No. GC200F-H-S-101-X	ISSUE 3
-----------------	------------------	------------------	------------	---------------------------------	------------