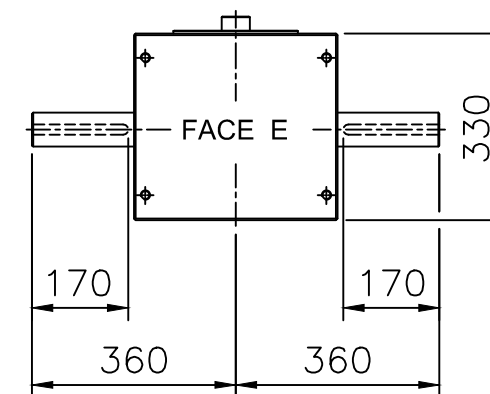
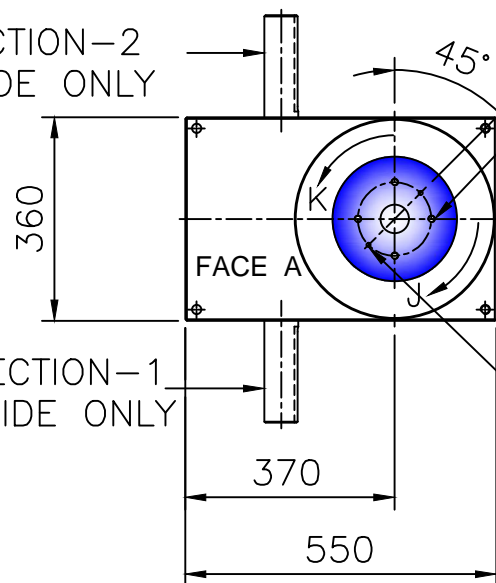


FACE "D" →



KEYWAY WILL BE IN THIS POSITION WHEN CAM IS IN CENTRE OF DWELL

PROJECTION-3 BOTH SIDE
PROJECTION-2 THIS SIDE ONLY
PROJECTION-1 THIS SIDE ONLY



INDEXING PLATE MOUNTING FACE, INDEXING FLANGE ($\phi 220$) IS INDICATED IN BLUE COLOR.

NOTE- MOUNTING HOLES TO BE PROVIDED ONLY ON MOUNTING FACE

ALL DIMENSIONS ARE IN mm UNLESS OTHERWISE SPECIFIED

		PACKAM CONTROLS PRIVATE LIMITED			
		PREMIUM PACKAM SERIES			
		STD INSTALLATION DRG- GC200-F (FLANGE TYPE)			
DRAWN BY PMB	CHECKED BY SN	DATE 03.08.16	SCALE ~	DRAWING No. GC200F-H-S-001-X	ISSUE 4

KINDLY CONTACT PACKAM FOR LATEST VERSION