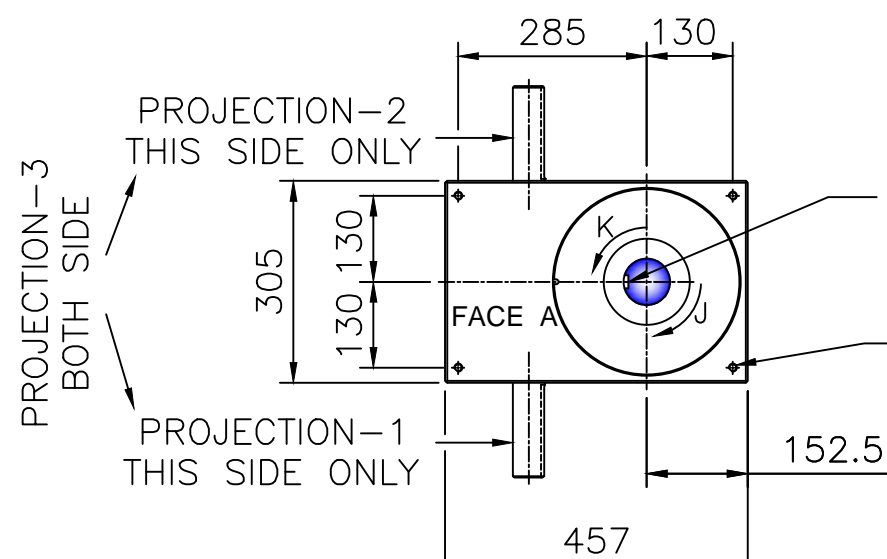


KEYWAY WILL BE IN THIS
POSITION WHEN CAM IS
IN CENTRE OF DWELL



KEYWAY WILL BE IN THIS
POSITION WHEN CAM IS
IN CENTRE OF DWELL

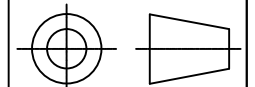
NOTE:- MOUNTING HOLES TO BE PROVIDE
ONLY ON MOUNTING FACE

INDEXING PLATE MOUNTING FACE, INDEXING
FLANGE (Ø130) IS INDICATED IN BLUE COLOR.



PACKAM CONTROLS PRIVATE LIMITED

PREMIUM PACKAM SERIES
STD INSTALLATION DRG-GC180-S (SHAFT TYPE)



DRAWN BY PMB	CHECKED BY SN	DATE 16.11.16	SCALE ~	DRAWING No. GC180S-H-S-001-X	ISSUE 2
-----------------	------------------	------------------	------------	---------------------------------	------------