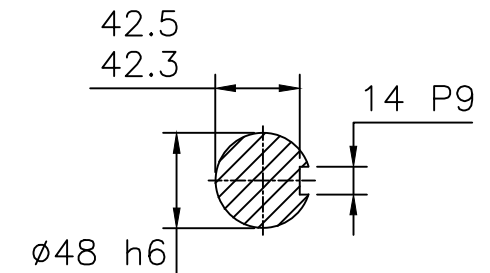
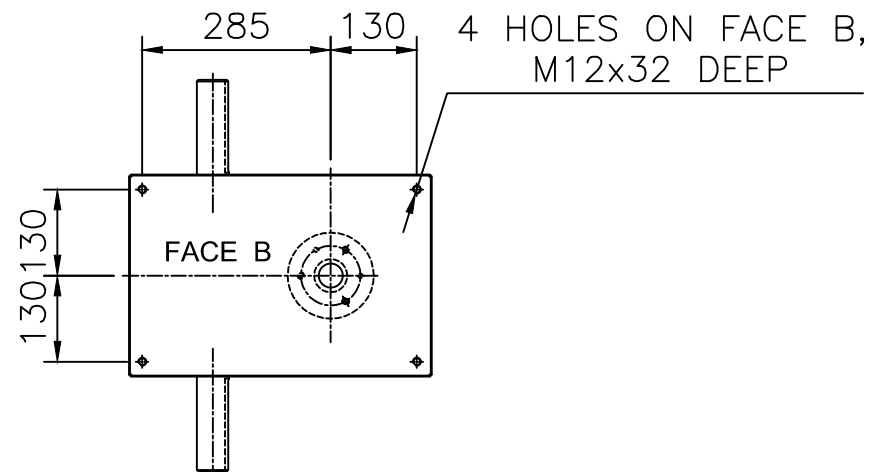
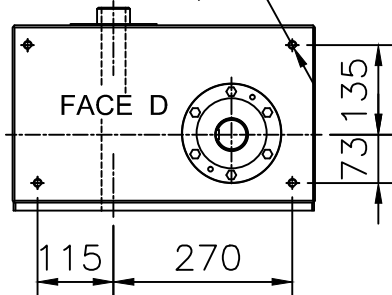
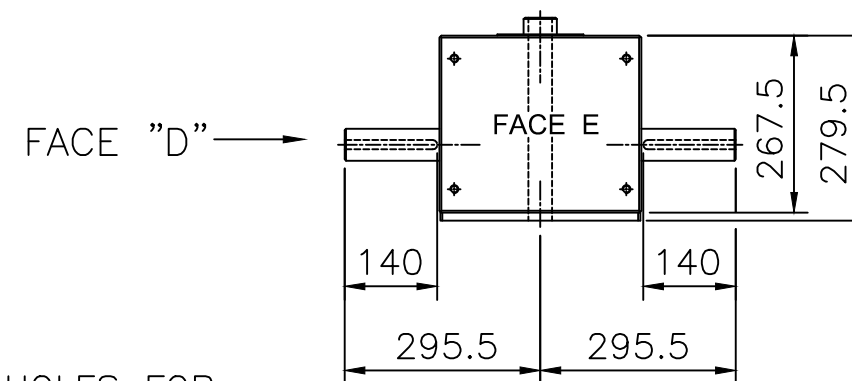
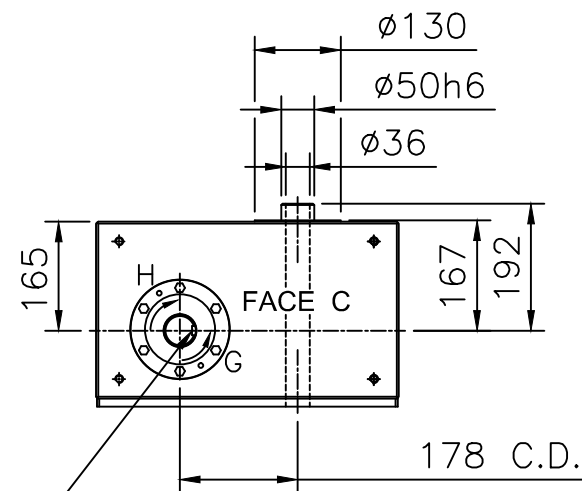
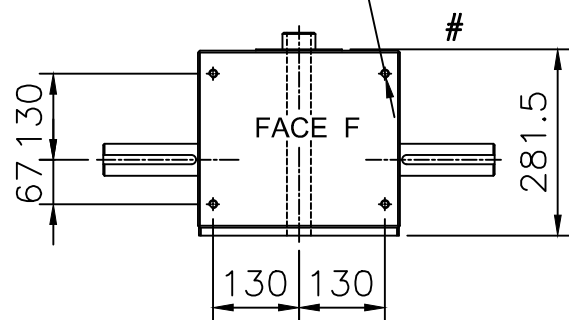


4 HOLES ON FACE D,
M12x20 DEEP
(TYPICAL ON FACE C)



INPUT SHAFT
KEYWAY

4 HOLES ON FACE F,
M12x20 DEEP
(TYPICAL ON FACE E)



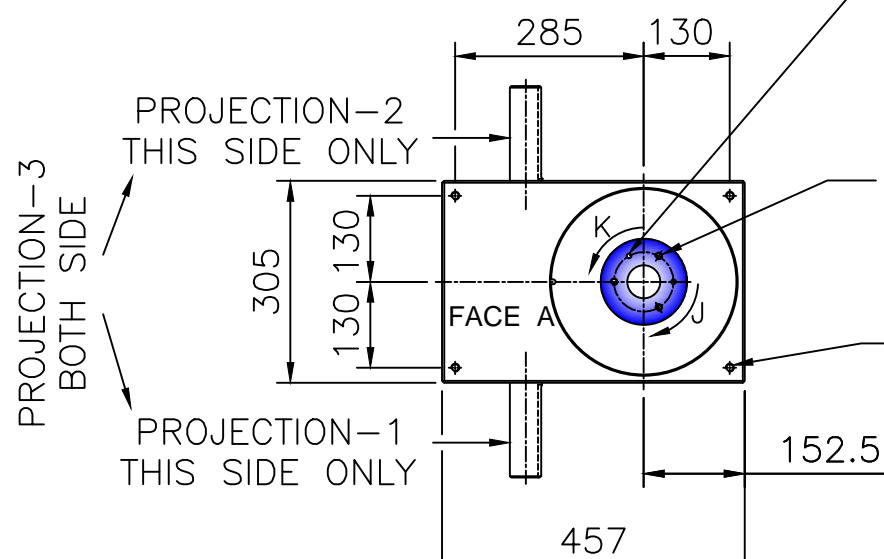
KEYWAY WILL BE IN THIS
POSITION WHEN CAM IS
IN CENTRE OF DWELL

2 PILOT HOLES FOR
DOWEL PINS ø7 X 15 DEEP
120° APART

3-HOLES TAPPED M10X20 DEEP
EQUISPACED ON 90 PCD
(A TAPPED HOLE WILL APPEAR IN
THIS POSITION WHEN CAM IS ON
DWELL.)

2 HOLES ON FACE A
M12x20 DEEP

NOTE:- MOUNTING HOLES TO BE PROVIDE
ONLY ON MOUNTING FACE

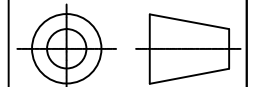


INDEXING PLATE MOUNTING FACE, INDEXING
FLANGE (ø130) IS INDICATED IN BLUE COLOR.



PACKAM CONTROLS PRIVATE LIMITED

PREMIUM PACKAM SERIES
STD INSTALLATION DRG-GC180-H (HOLLOW TYPE)



DRAWN BY PMB	CHECKED BY SN	DATE 15.11.16	SCALE ~	DRAWING No. GC180F-H-S-101-X	ISSUE 2
-----------------	------------------	------------------	------------	---------------------------------	------------