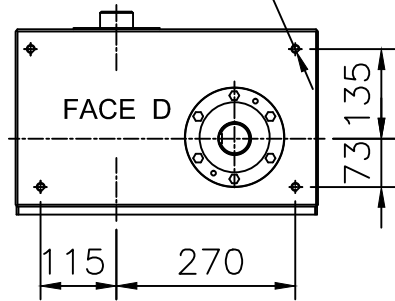
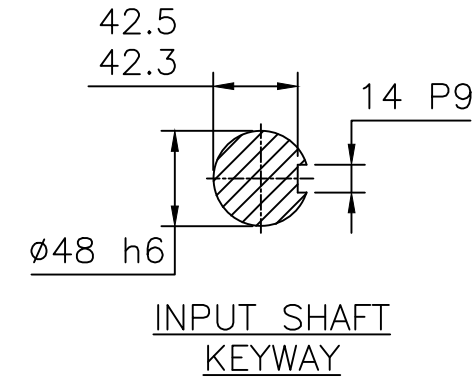
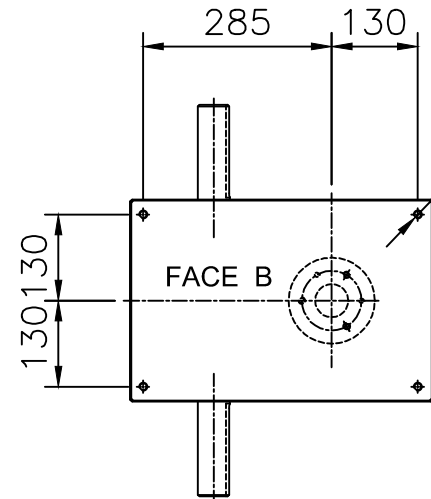


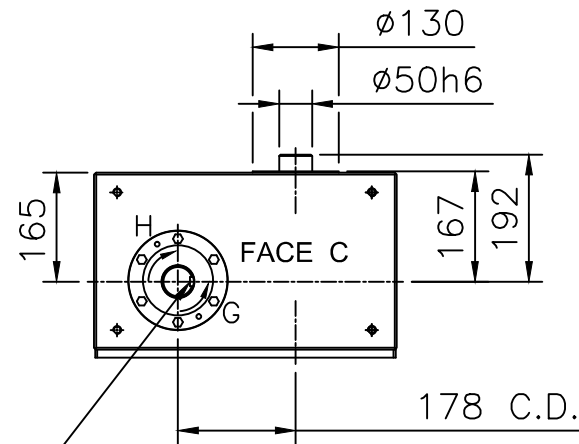
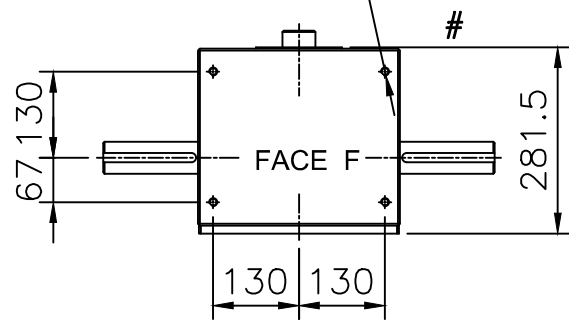
4 HOLES ON FACE D,
M12x20 DEEP
(TYPICAL ON FACE C)



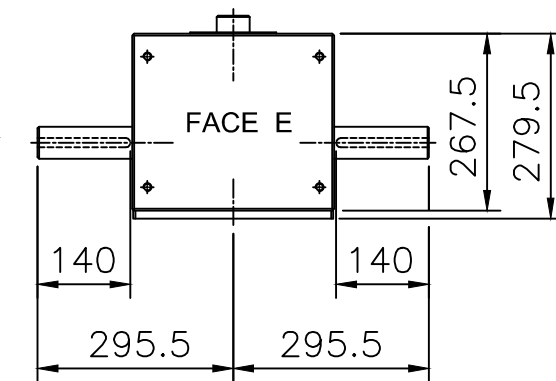
4 HOLES ON FACE B,
M12x32 DEEP



4 HOLES ON FACE F,
M12x20 DEEP
(TYPICAL ON FACE E)



FACE "D"

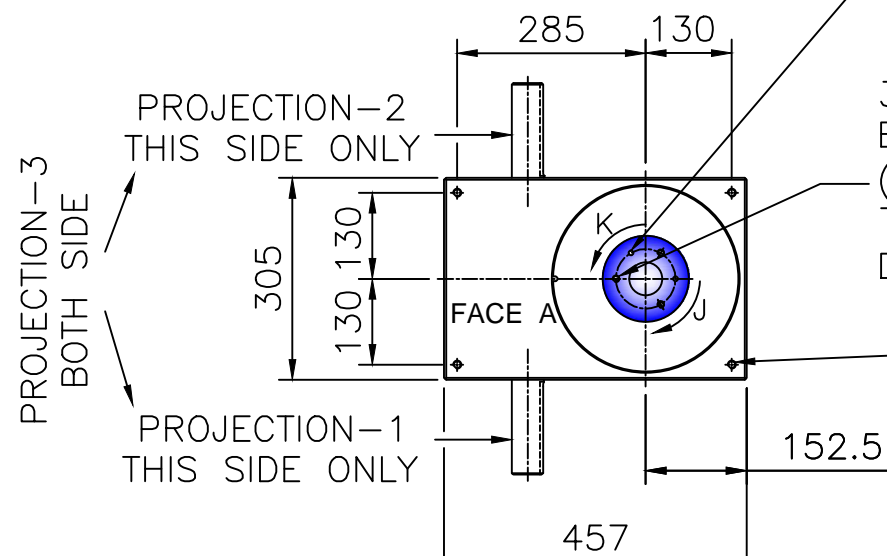


KEYWAY WILL BE IN THIS POSITION WHEN CAM IS IN CENTRE OF DWELL

2 PILOT HOLES FOR DOWEL PINS ø7 X 15 DEEP 120° APART

3-HOLES TAPPED M10X20 DEEP EQUISPACED ON 90 PCD (A TAPPED HOLE WILL APPEAR IN THIS POSITION WHEN CAM IS ON DWELL.)

2 HOLES ON FACE A M12x20 DEEP



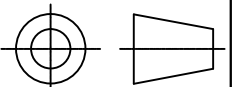
NOTE- MOUNTING HOLES TO BE PROVIDED ONLY ON MOUNTING FACE

INDEXING PLATE MOUNTING FACE, INDEXING FLANGE (ø130) IS INDICATED IN BLUE COLOR.



PACKAM CONTROLS PRIVATE LIMITED

PREMIUM PACKAM SERIES
STD INSTALLATION DRG-GC180-F (FLANGE TYPE)



DRAWN BY PMB	CHECKED BY SN	DATE 03.08.16	SCALE ~	DRAWING No. GC180F-H-S-001-X	ISSUE 3
-----------------	------------------	------------------	------------	---------------------------------	------------