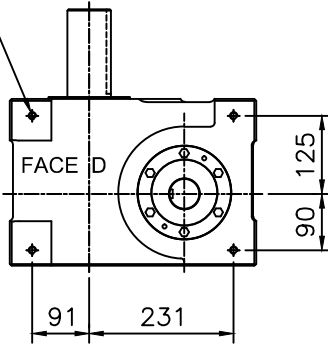
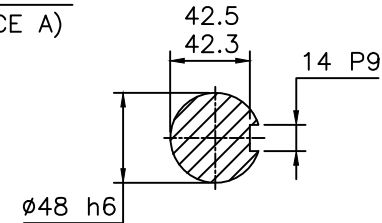
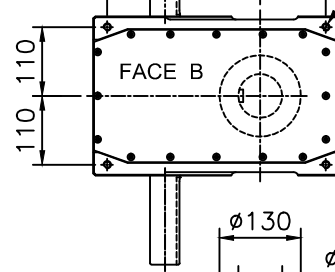


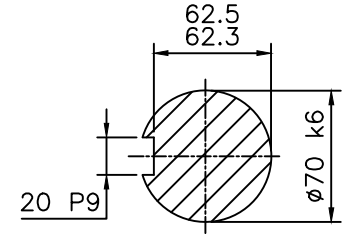
4 HOLES ON FACE D,
M12x20 DEEP
(TYPICAL ON FACE C)



245 105
4 HOLES ON FACE B,
M12x20 DEEP
(TYPICAL ON FACE A)

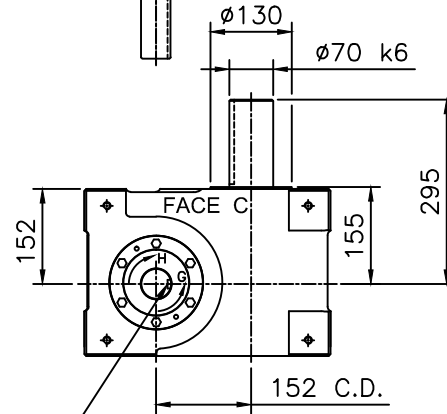
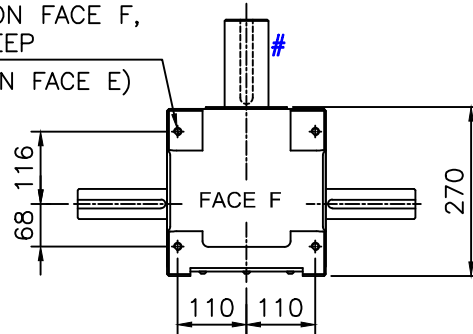


INPUT SHAFT
KEYWAY



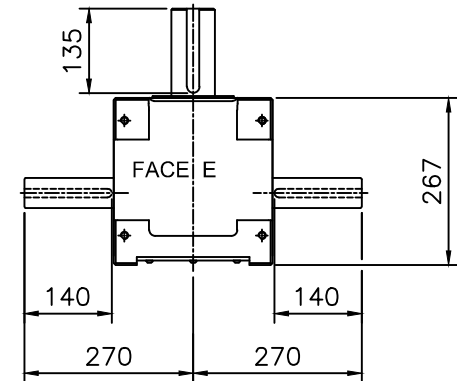
OUTPUT SHAFT
KEYWAY

4 HOLES ON FACE F,
M12x20 DEEP
(TYPICAL ON FACE E)

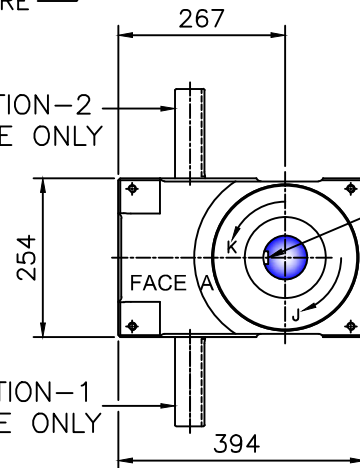


KEYWAY WILL BE IN THIS
POSITION WHEN CAM IS IN CENTRE
OF DWELL

FACE "D" →



PROJECTION-2
THIS SIDE ONLY
PROJECTION-3
BOTH SIDE
PROJECTION-1
THIS SIDE ONLY



KEYWAY WILL BE IN THIS
POSITION WHEN CAM IS IN
CENTRE OF DWELL

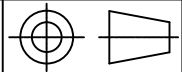
- MOUNTING POSITION AND MOUNTING FACE IS TO BE
DEFINED BEFORE ORDERING.

INDEXING SHAFT (70) IS INDICATED IN BLUE COLOR.



PACKAM CONTROLS PRIVATE LIMITED

PREMIUM PACKAM SERIES
STANDARD INSTALLATION DRAWING-GC150-S(SHAFT TYPE)



ALL DIMENSIONS ARE IN mm UNLESS OTHERWISE SPECIFIED

DRAWN BY PMB	CHECKED BY SN	DATE 16.11.16	SCALE ~	DRAWING No. GC150S-H-S-001-X	ISSUE 1
-----------------	------------------	------------------	------------	---------------------------------	------------