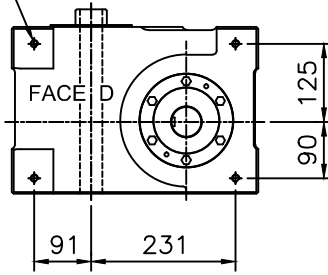
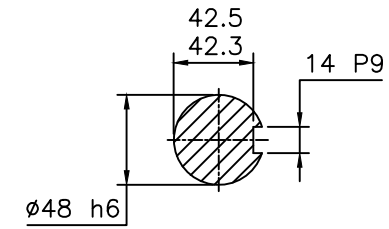
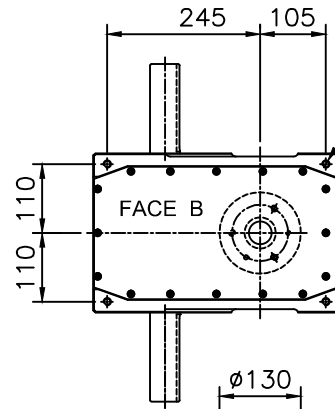


4 HOLES ON FACE D,  
M12x20 DEEP  
(TYPICAL ON FACE C)

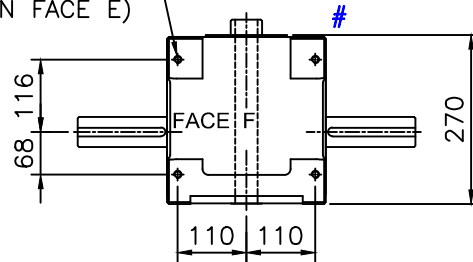


4 HOLES ON FACE B,  
M12x20 DEEP  
(TYPICAL ON FACE A)

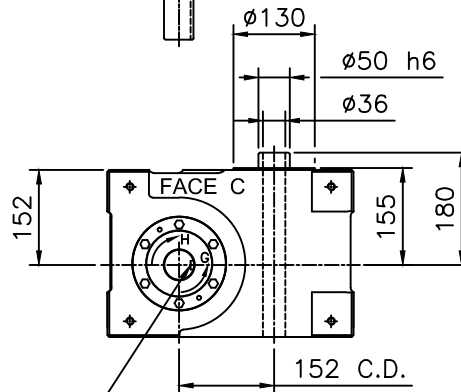


INPUT SHAFT  
KEYWAY

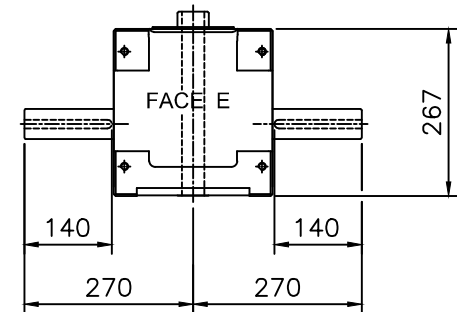
4 HOLES ON FACE F,  
M12x20 DEEP  
(TYPICAL ON FACE E)



KEYWAY WILL BE IN THIS  
POSITION WHEN CAM IS IN CENTRE  
OF DWELL



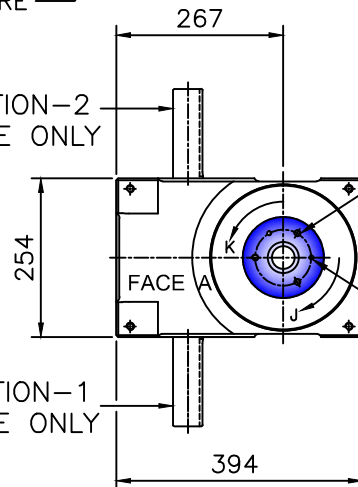
FACE "D" →



PROJECTION-2  
THIS SIDE ONLY

PROJECTION-3  
BOTH SIDE

PROJECTION-1  
THIS SIDE ONLY



3 HOLES M10x20 DEEP  
EQUISPACED ON 90 P.C.D.  
A TAPPED HOLE WILL APPEAR IN  
THIS POSITION WHEN CAM IS ON  
DWELL.

2 PILOT HOLES FOR DOWEL PINS  
 $\phi 7$  X 15 DEEP  
120° APART

- MOUNTING POSITION AND MOUNTING FACE IS TO BE  
DEFINED BEFORE ORDERING.

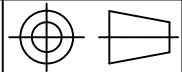
# INDEXING PLATE MOUNTING FACE, INDEXING  
FLANGE ( $\phi 130$ ) IS INDICATED IN BLUE COLOR.

ALL DIMENSIONS ARE IN mm UNLESS OTHERWISE SPECIFIED



PACKAM CONTROLS PRIVATE LIMITED

PREMIUM PACKAM SERIES  
STANDARD INSTALLATION DRAWING-GC150-H (HOLLOW TYPE)



DRAWN BY PMB	CHECKED BY SN	DATE 15.11.16	SCALE ~	DRAWING No. GC150F-H-S-101-X	ISSUE 1
-----------------	------------------	------------------	------------	---------------------------------	------------