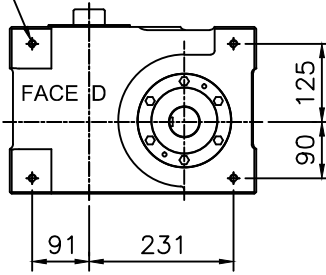
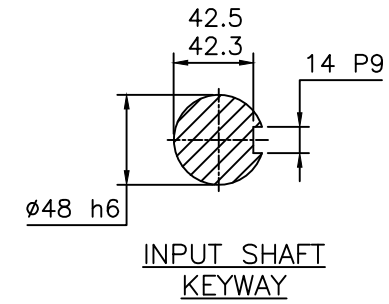
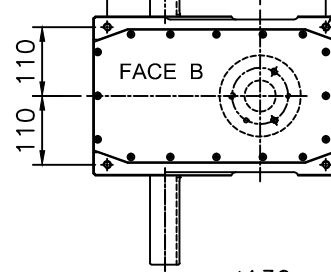


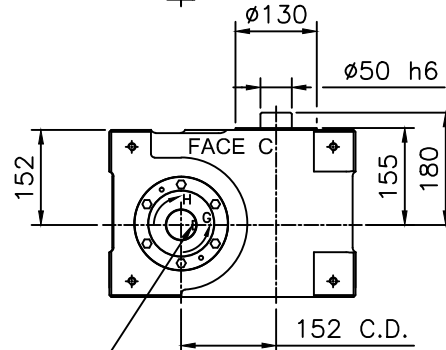
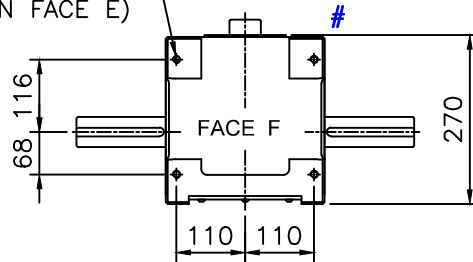
4 HOLES ON FACE D,
M12x20 DEEP
(TYPICAL ON FACE C)



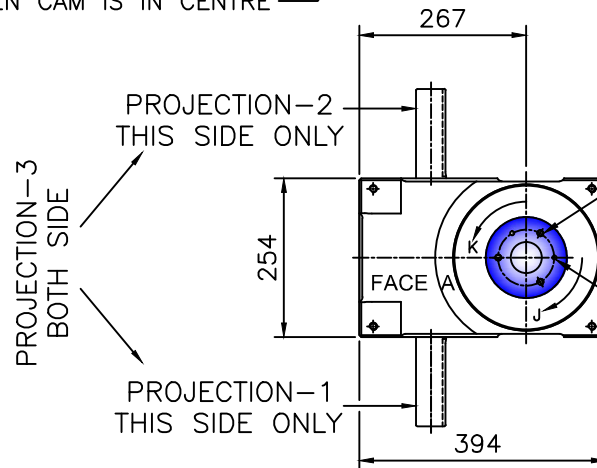
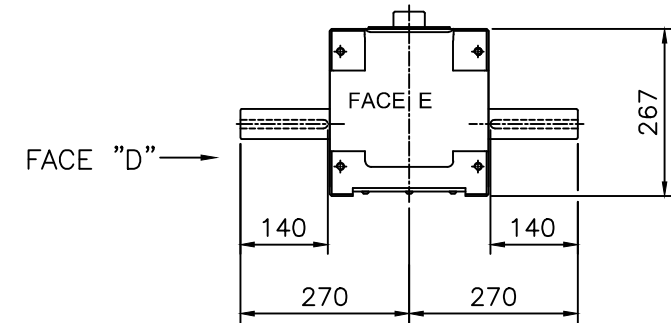
245 105
4 HOLES ON FACE B,
M12x20 DEEP
(TYPICAL ON FACE A)



4 HOLES ON FACE F,
M12x20 DEEP
(TYPICAL ON FACE E)



KEYWAY WILL BE IN THIS POSITION WHEN CAM IS IN CENTRE OF DWELL



3 HOLES M10x20 DEEP
EQUISPACED ON 90 P.C.D.
A TAPPED HOLE WILL APPEAR IN THIS POSITION WHEN CAM IS ON DWELL.

2 PILOT HOLES FOR DOWEL PINS
 $\phi 7 \times 15$ DEEP
120° APART

- MOUNTING POSITION AND MOUNTING FACE IS TO BE DEFINED BEFORE ORDERING.

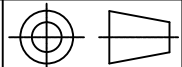
INDEXING PLATE MOUNTING FACE, INDEXING FLANGE ($\phi 130$) IS INDICATED IN BLUE COLOR.

ALL DIMENSIONS ARE IN mm UNLESS OTHERWISE SPECIFIED



PACKAM CONTROLS PRIVATE LIMITED

PREMIUM PACKAM SERIES
STD INSTALLATION DRG - GC150-F (FLANGE TYPE)



DRAWN BY PMB	CHECKED BY SN	DATE 03.08.16	SCALE ~	DRAWING No. GC150F-H-S-001-X	ISSUE 2
-----------------	------------------	------------------	------------	---------------------------------	------------