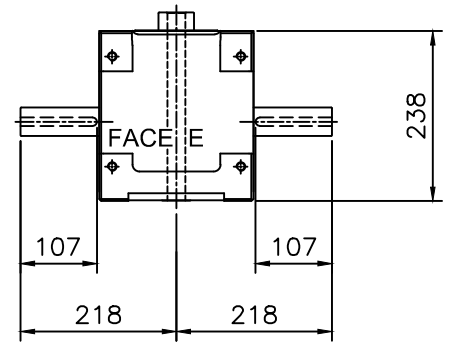


FACE "D" →

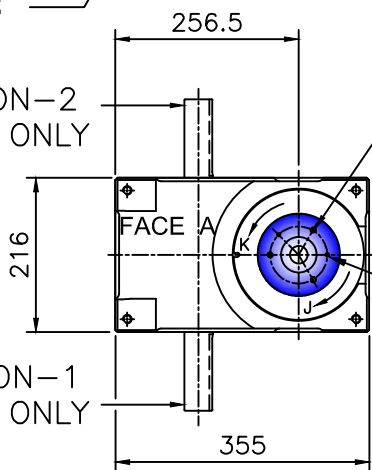


KEYWAY WILL BE IN THIS POSITION WHEN CAM IS IN CENTRE OF DWELL

PROJECTION-2 THIS SIDE ONLY

PROJECTION-3 BOTH SIDE

PROJECTION-1 THIS SIDE ONLY



- MOUNTING POSITION AND MOUNTING FACE IS TO BE DEFINED BEFORE ORDERING.

INDEXING PLATE MOUNTING FACE, INDEXING FLANGE ($\phi 115$) IS INDICATED IN BLUE COLOR.

ALL DIMENSIONS ARE IN mm UNLESS OTHERWISE SPECIFIED

		PACKAM CONTROLS PRIVATE LIMITED			
		PREMIUM PACKAM SERIES STANDARD INSTALLATION DRAWING-GC140-H (HOLLOW TYPE)			
DRAWN BY PMB	CHECKED BY SN	DATE 15.11.16	SCALE ~	DRAWING No. GC140F-H-S-101-X	ISSUE 1

KINDLY CONTACT PACKAM FOR LATEST VERSION