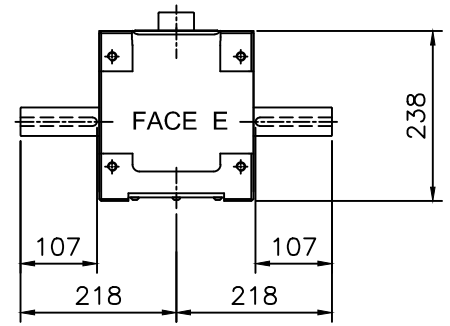


FACE "D" →

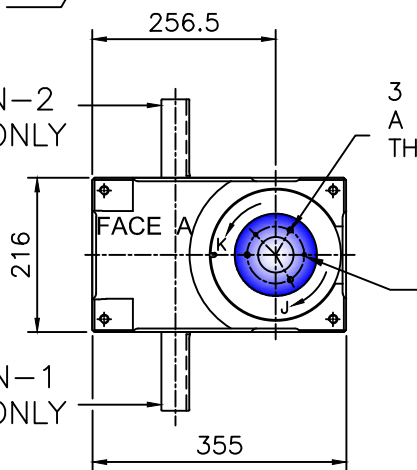


KEYWAY WILL BE IN THIS POSITION WHEN CAM IS IN CENTRE OF DWELL

PROJECTION-2 THIS SIDE ONLY

PROJECTION-3 BOTH SIDE

PROJECTION-1 THIS SIDE ONLY



3 HOLES M8x20 DEEP EQUISPACED ON 80.0 PCD
A TAP HOLE WILL APPEAR IN THIS POSITION WHEN CAM IS ON DWELL

2 PILOT HOLES FOR DOWEL PINS
∅5 X 10 DEEP
135° APART

- MOUNTING POSITION AND MOUNTING FACE IS TO BE DEFINED BEFORE ORDERING.

INDEXING PLATE MOUNTING FACE, INDEXING FLANGE (∅115) IS INDICATED IN BLUE COLOR.

		PACKAM CONTROLS PRIVATE LIMITED			
		PREMIUM PACKAM SERIES STD INSTALLATION DRG - GC140-F (FLANGE TYPE)			
DRAWN BY PMB	CHECKED BY SN	DATE 03.08.16	SCALE ~	DRAWING No. GC140F-H-S-001-X	ISSUE 2

ALL DIMENSIONS ARE IN mm UNLESS OTHERWISE SPECIFIED

KINDLY CONTACT PACKAM FOR LATEST VERSION