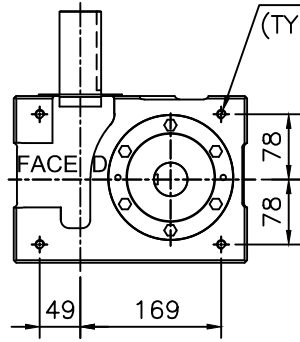
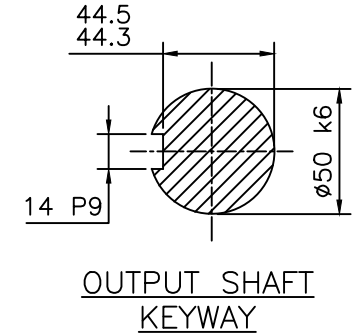
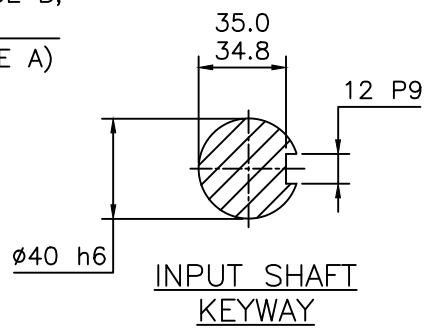
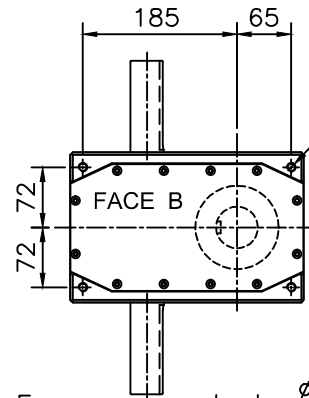


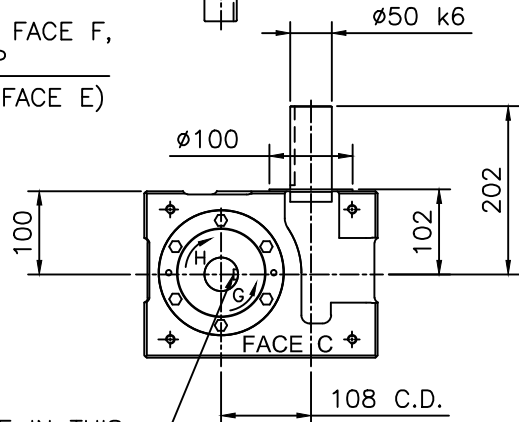
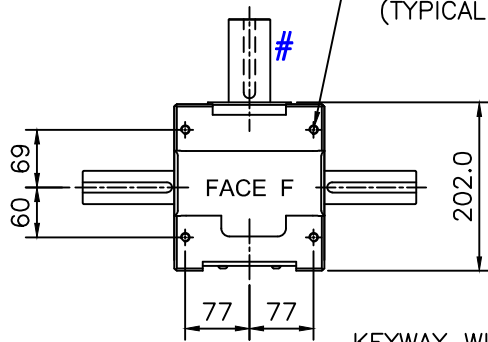
4 HOLES ON FACE D,
M10x16 DEEP
(TYPICAL ON FACE C)



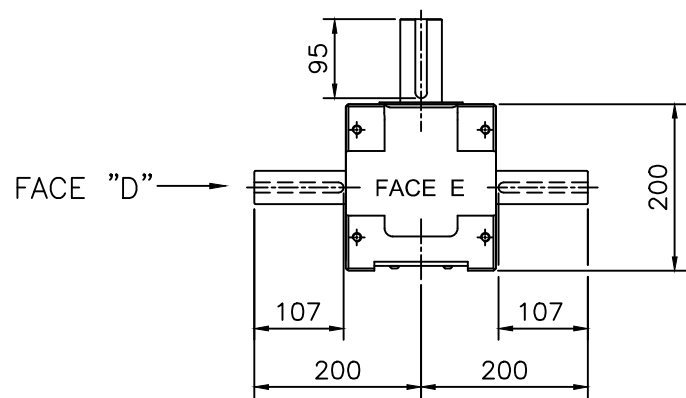
4 HOLES ON FACE B,
M10x16 DEEP
(TYPICAL ON FACE A)



4 HOLES ON FACE F,
M10x16 DEEP
(TYPICAL ON FACE E)



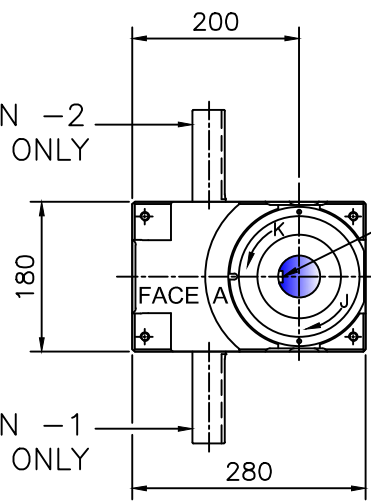
KEYWAY WILL BE IN THIS
POSITION WHEN CAM IS
IN CENTRE OF DWELL



PROJECTION -3
BOTH SIDE

PROJECTION -2
THIS SIDE ONLY

PROJECTION -1
THIS SIDE ONLY



KEYWAY WILL BE IN THIS
POSITION WHEN CAM IS
IN CENTRE OF DWELL

- MOUNTING POSITION AND MOUNTING FACE
IS TO BE DEFINED BEFORE ORDERING.

INDEXING SHAFT ($\phi 50$) IS INDICATED IN
BLUE COLOR.

ALL DIMENSIONS ARE IN mm UNLESS OTHERWISE SPECIFIED



PACKAM CONTROLS PRIVATE LIMITED

PREMIUM PACKAM SERIES
STANDARD INSTALLATION DRAWING-GC110-S(SHAFT TYPE)

DRAWN BY PMB	CHECKED BY SN	DATE 16.11.16	SCALE ~	DRAWING No. GC110S-H-S-001-X	ISSUE 1
-----------------	------------------	------------------	------------	---------------------------------	------------

KINDLY CONTACT PACKAM FOR LATEST VERSION