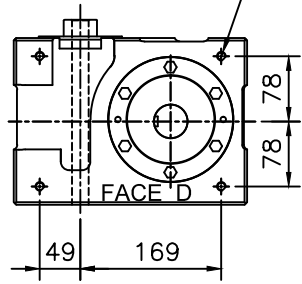
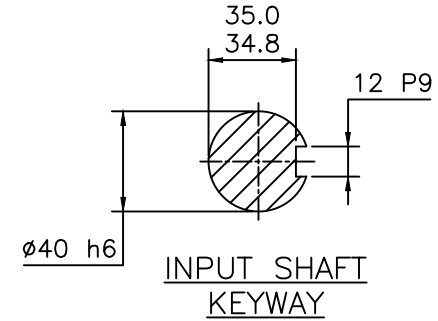
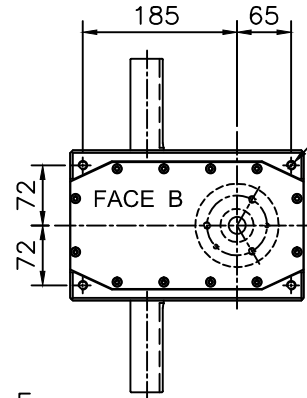


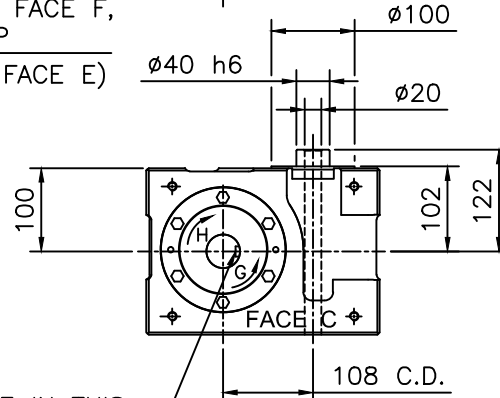
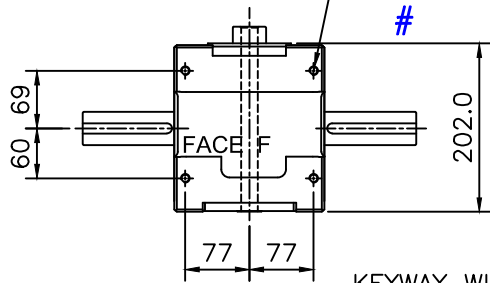
4 HOLES ON FACE D,
M10x16 DEEP
(TYPICAL ON FACE C)



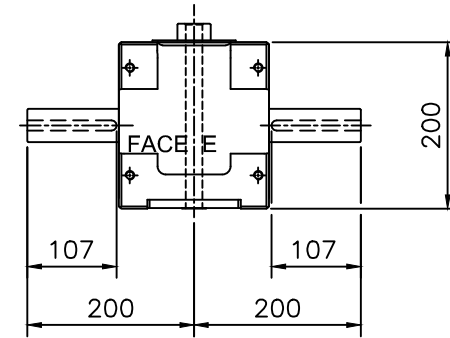
4 HOLES ON FACE B,
M10x16 DEEP
(TYPICAL ON FACE A)



4 HOLES ON FACE F,
M10x16 DEEP
(TYPICAL ON FACE E)



FACE "D" →

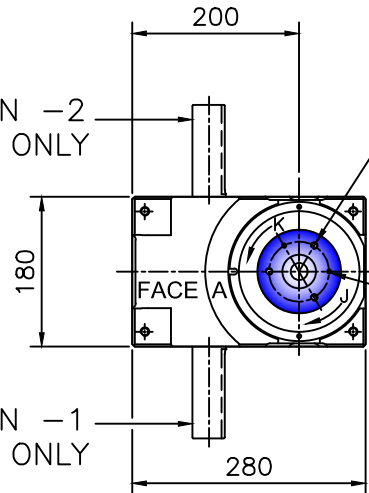


KEYWAY WILL BE IN THIS
POSITION WHEN CAM IS
IN CENTRE OF DWELL

PROJECTION -3
BOTH SIDE

PROJECTION -2
THIS SIDE ONLY

PROJECTION -1
THIS SIDE ONLY



3 HOLES M8X20 DEEP
EQUISPACED ON 72 P.C.D
A TAPPED HOLE WILL
APPEAR IN THIS POSITION
WHEN CAM IS ON DWELL.

2 PILOT HOLES FOR DOWEL PINS
 $\phi 5 \times 10$ DEEP, 120° APART

- MOUNTING POSITION AND MOUNTING FACE
IS TO BE DEFINED BEFORE ORDERING.

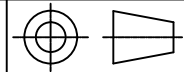
INDEXING PLATE MOUNTING FACE,
INDEXING FLANGE ($\phi 100$) IS INDICATED IN
BLUE COLOR.

ALL DIMENSIONS ARE IN mm UNLESS OTHERWISE SPECIFIED



PACKAM CONTROLS PRIVATE LIMITED

PREMIUM PACKAM SERIES
STANDARD INSTALLATION DRAWING-GC110-H (HOLLOW TYPE)



DRAWN BY PMB	CHECKED BY SN	DATE 15.11.16	SCALE ~	DRAWING No. GC110F-H-S-101-X	ISSUE 1
-----------------	------------------	------------------	------------	---------------------------------	------------