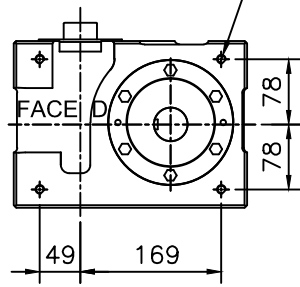
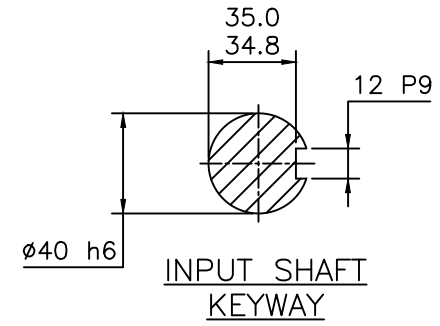
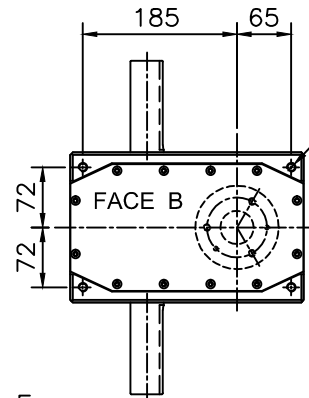


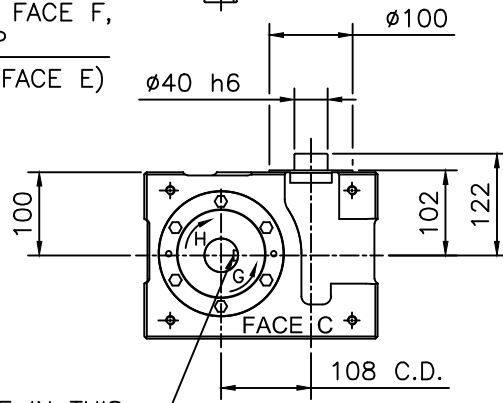
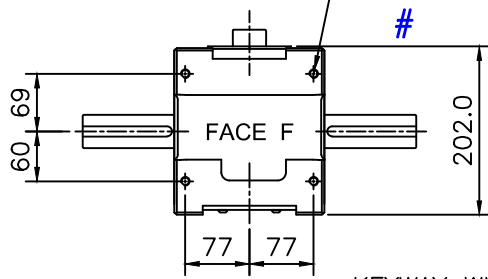
4 HOLES ON FACE D,
M10x16 DEEP
(TYPICAL ON FACE C)



4 HOLES ON FACE B,
M10x16 DEEP
(TYPICAL ON FACE A)

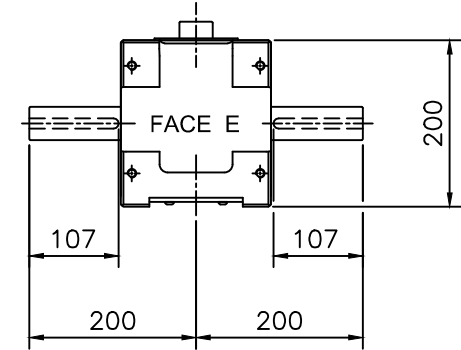


4 HOLES ON FACE F,
M10x16 DEEP
(TYPICAL ON FACE E)



KEYWAY WILL BE IN THIS
POSITION WHEN CAM IS
IN CENTRE OF DWELL

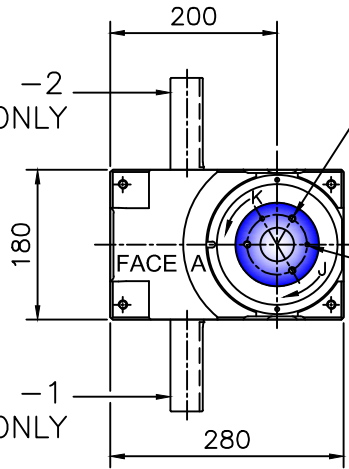
FACE "D" →



PROJECTION -3
BOTH SIDE

PROJECTION -2
THIS SIDE ONLY

PROJECTION -1
THIS SIDE ONLY



3 HOLES M8X20 DEEP
EQUISPACED ON 72 P.C.D
A TAPPED HOLE WILL
APPEAR IN THIS POSITION
WHEN CAM IS ON DWELL.

2 PILOT HOLES FOR DOWEL PINS
ø5 X 10 DEEP, 120° APART

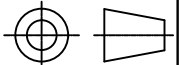
- MOUNTING POSITION AND MOUNTING FACE
IS TO BE DEFINED BEFORE ORDERING.

INDEXING PLATE MOUNTING FACE,
INDEXING FLANGE (ø100) IS INDICATED IN
BLUE COLOR.



PACKAM CONTROLS PRIVATE LIMITED

PREMIUM PACKAM SERIES
STD INSTALLATION DRG - GC110-F (FLANGE TYPE)



ALL DIMENSIONS ARE IN mm UNLESS OTHERWISE SPECIFIED

DRAWN BY PMB	CHECKED BY SN	DATE 03.08.16	SCALE ~	DRAWING No. GC110F-H-S-001-X	ISSUE 2
-----------------	------------------	------------------	------------	---------------------------------	------------

KINDLY CONTACT PACKAM FOR LATEST VERSION