

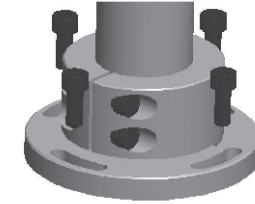
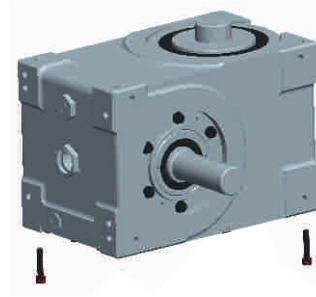


# CAUTION



## UNBOXING INSTRUCTIONS

The Conveyor and Indexer is secured in wooden box using wooden strips at the top and bolts at the bottom. Safely remove both before attempting to lift the indexer.



Wear protective gloves



Wear safety shoes



Wear a safety helmet



Hazard of injury to hand



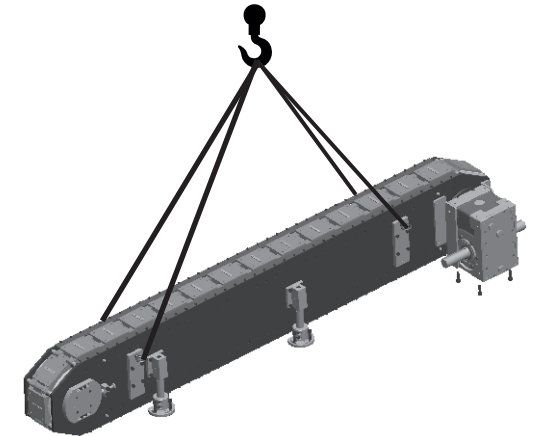
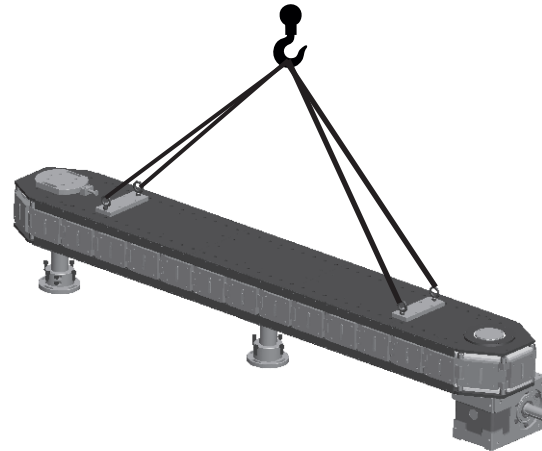
Moving and Rotating Equipment



## LIFTING INSTRUCTIONS

Use a hoist or a crane to lift. Attach hooks to eye bolts (not supplied) at points at front and top of housing. Lift with long chains or strap – angles between chains or strap should be less than 90 degrees.

DO NOT LIFT THE CONVEYOR BY HOLDING OR ATTACHING ANY LIFTING DEVICE TO ANY OTHER PART / SECTION.



**WARNING**

UNITS MUST BE STORED IN COOL & DRY ROOM - MOISTURE FREE. FAILURE TO FOLLOW THESE INSTRUCTIONS CAN RESULT IN EQUIPMENT DAMAGE.