

SAMPLE COPY



South Asia



EN ISO 12100:2010

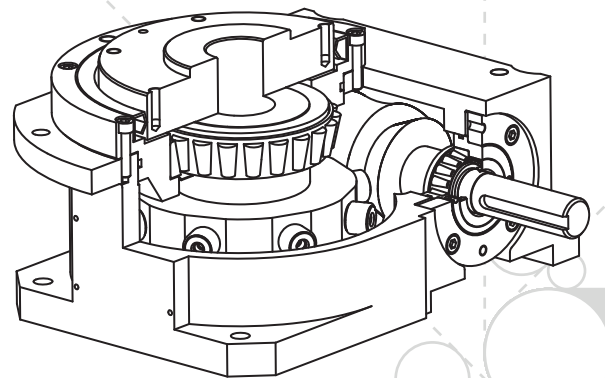


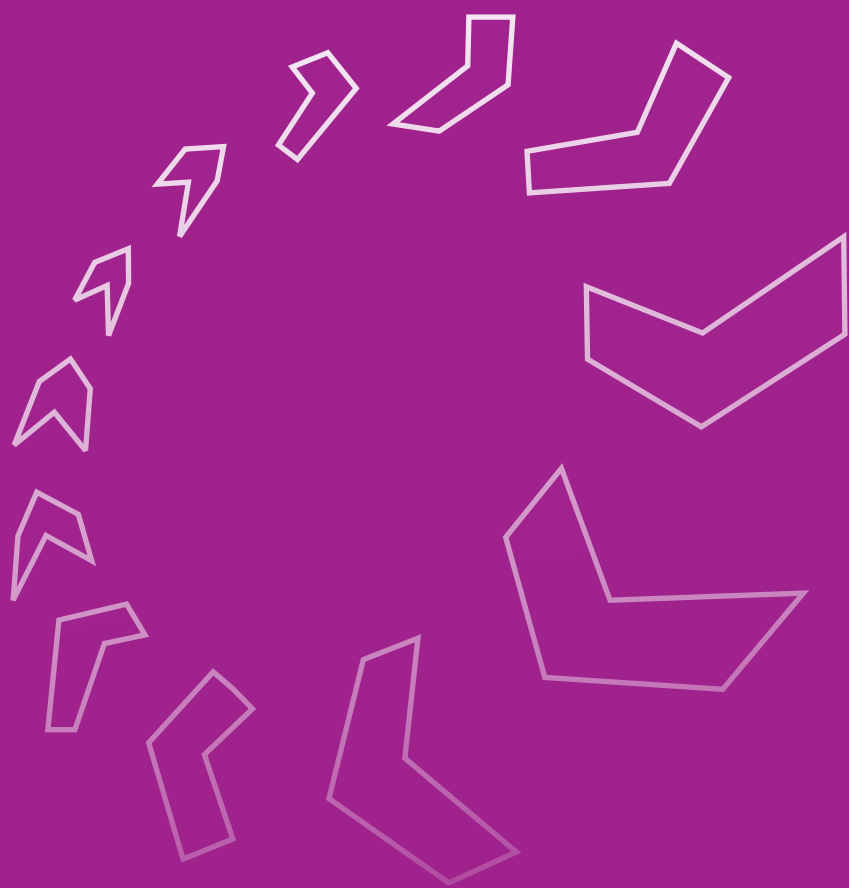
PACKAM

Technical Product Catalogue

Motion Control Solutions

Ver.: 14 Year: 2022





For over 25 years Packam has been setting the standard in the industry for quality, accuracy and reliability and would like to work with you to meet the demanding requirements of your customers.

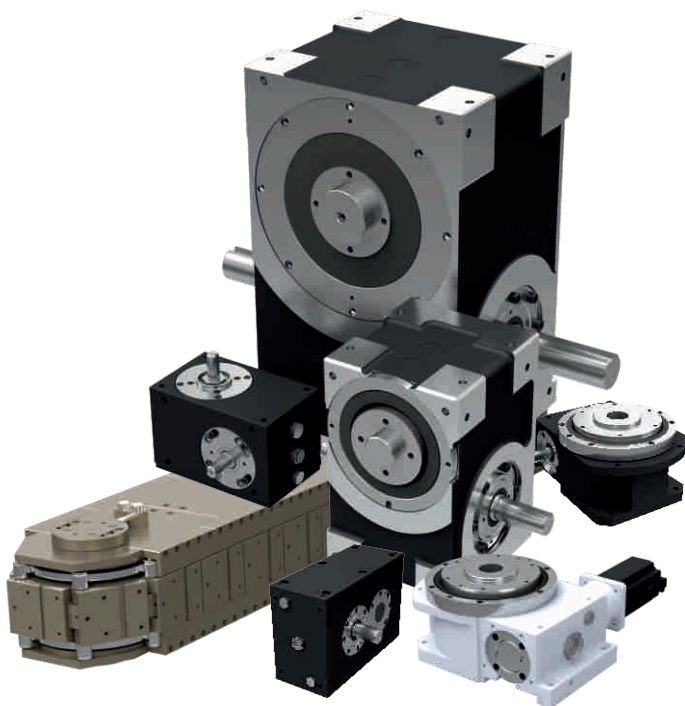
The key component of any production process is accurate and fault free operation for a very long time. Packam products ensure this can happen in your product every time.

Packam indexers are designed and manufactured using the latest computer technology and CNC machines and grinding methods. Each and every indexer is carefully inspected and test run to that required speed before shipment to ensure the highest product quality.

Packam Indexers are very competitively priced and offer substantial saving over others. Another benefit our customers appreciate is our highly flexible working schedule system which enables us to provide delivery performance to suite your needs. This is also backed by a highly competent engineering staff and sales network.

Our experienced sales team can also assist you throughout the design phase for new product development to ensure an optimum design solution to suite your requirements.

Experience the Packam difference!



PACKAM



South Asia



EN ISO 12100:2010



The key component of any production process is accurate and fault free operation for a very long time.

Packam products ensure this can happen in your product every time.

Packam has dedicated more than five decades in delivering quality products to its customers. An experience in manufacturing and exports to over 50 countries gives us the needed expertise and enables us to keep up with the customers demands and handle global projects with ease. We are always on the lookout for betterment and it is this passion to do the best that keeps us going.

We distinguish ourselves as pioneers in the field of motion control, especially the manufacture of Cam Indexers.

Our high precision cam indexers are manufactured on state of the art machines, backed by skilled and internationally trained technicians. We have the experience and know-how to choose the optimal, risk free indexer to assure the required function and life.

The drives manufactured by Packam are mechanical indexing units or oscillating mechanisms used to transform the constant speed rotary motion of the input shaft into intermittent one-way or oscillating movement of the output shaft by way of a cam drive profiles and followers. Once the motion profile is decided and manufactured it cannot be changed unless the indexing mechanism is exchanged. An exception is the servo-driven indexing unit with a backlash-free, constant velocity globoidal cam mechanism.

The size of the indexing unit is determined by analysing the forces resulting from the load, velocity and the acceleration/deceleration forces. Packam has many years of experience in the selection of the optimum indexer size and can therefore serve its customers in the best possible way.

Mechanical indexing units and indexing drives with globoidal cams or flat cams have a high reliability and virtually zero maintenance during a long service life. They are available as cycle-on-demand or continuous run drives. Depending on the application, there may be need for protecting the indexer/oscillator from overload on either the input or the output side of the indexer. Overload clutches are available to protect the indexing drive unit in emergency situations (failure in the power supply, blockage through external influences, interfering motions). Further, Packam delivers indexing units complete with motor and gear units of any type selected by the customer.

Packam has many years of experience in design and manufacture of indexers. All the materials and hardware used is from reputed manufacturer. Our cams are through hardened and ground to micron accuracy with a very high surface finish. Our cam followers have the best rating and performance under specified working parameters. The assembly process has been mastered by our technicians to ensure that the indexer is delivered in ready-to-use condition.

Packam offers a wide range of indexing devices for all your automation needs. They are used in many areas of machine design like: Assembly Automates, Automotive, Rotary Tables, Feeding Mechanisms, Indexing Conveyors, Indexing heads on tool machines, Packaging Machinery, Part Transfers, Printing Machinery, Welding Automation and many more...

If you are looking for reliable, long-lasting automation equipment, Packam has the solution.



**ZERO
BACKLASH**



**LONG
LIFE**

Why Globoidal Cam Indexers?

Technology and Advantages

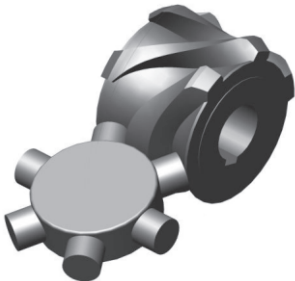
Cam Indexers operate on a simple concept – translating a constant input into an intermittent output via the curvature of a cam. Globoidal cams are similar to barrel cams in shape, but have considerably different profiles. The Cam followers are preloaded on the tapered rib of the Globoidal Cam which ensures a PERFECT contact resulting in higher accuracy, repeatability & operating life as compared to a barrel cam.



Packam indexers use globoidal cams instead of traditional barrel cams. Barrel cam indexers have limitations for high speed, torque capacity, complex and/or bi-directional motions. Barrel cam grooves are shrunk during the dwell period, wear is induced by preloading the cam follower heavier. With speed, time or heavy loading, the nonadjustable barrel cam design will develop backlash, deposit metal fines in the oil and become inaccurate. Globoidal cams are more efficient requiring less motor torque with better high speed performance and non-decaying accuracy due to wear.

Moreover, barrel cams being an older technology have limitations which increase the risk of cam follower skidding which can result in faster wear affecting accuracy & repeatability of the indexer. Therefore, barrel cams are not recommended for applications requiring high speed, short index times, heavy load, long life, high accuracy & repeatability.

Compared to other cam-follower systems, the globoidal cam follower mechanisms have many advantages, such as: compact structure, high loading capacity, low noise, low vibration, and high reliability. They are widely used in machine tools, automatic assembly lines, paper processing machines, packing machines, and many automated manufacturing devices.



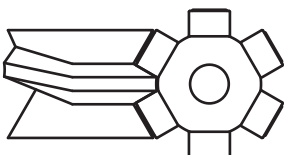
Key Advantages of globoidal cams:

- The tapered walls in the groove of the globoidal cams are designed to accommodate cam followers fixed to an output shaft in a “star” configuration. The star configuration and globoidal cam result in significantly less internal inertia as compared to other cam mechanisms.
- Globoidal cams are more efficient, require less motor torque with better high speed performance & non-decaying accuracy due to wear.
- Ideal for high speed and torque capacity applications and offer greater flexibility in cam customization.

All is why, globoidal cams based mechanisms are preferred mechanism by a larger segment of industry.

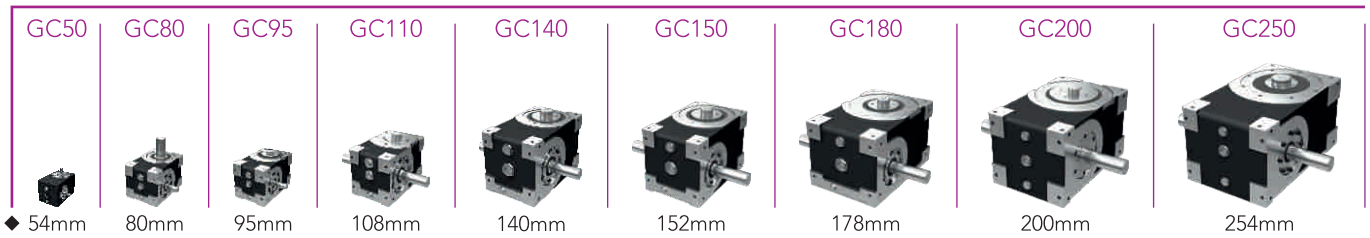
The Packam Advantage:

- Over 25 years of global experience in manufacturing highest quality indexers to virtually all industry vertical
- Highly skilled design & technical team capable of sizing indexer to suite any complex application
- CE Certified Products
- EU accepted design & technology – customer base in over 30 countries including USA & Europe.
- Globoidal cams based indexers – far superior to conventional barrel technology
- Through hardened cams offer better life & performance as compared to induction hardened cams widely used
- Packam make High performance needle roller cam followers specially designed for indexing applications
- Rigid cast iron housing to eliminate vibrations during operation
- Only manufacturer in India to offer 4-year warranty – most other brands only offer 1 to 2 years



PRODUCT RANGE

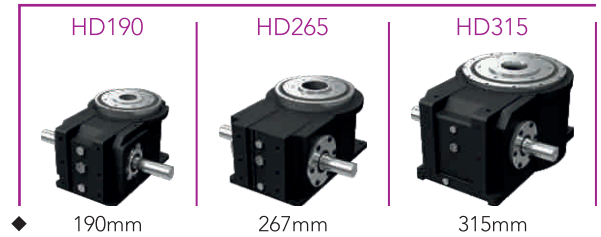
Globoidal Cam Indexers



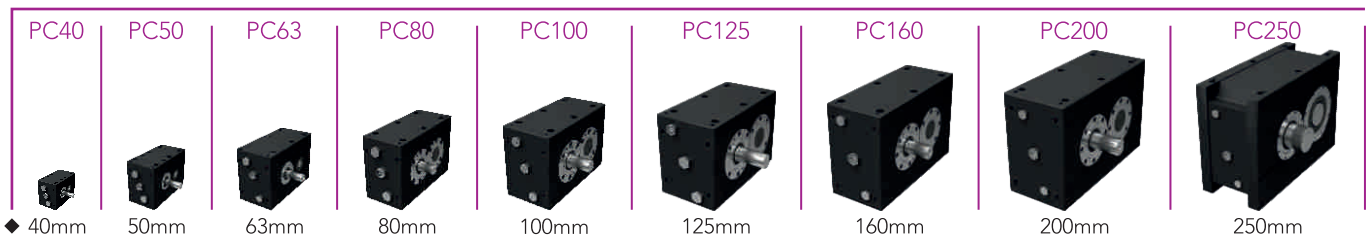
Rotary Table Indexers



Heavy Duty Indexers



Parallel Cam Indexers



Servo-Mechanical Indexer



Precision Link Conveyor



For model specific technical details, kindly refer to product specific page.

- ◆ C.D. - Centre distance between the input & output shaft of the indexer.
- * Stroke Length

ONLINE MODEL SELECTION / SIZING APPLICATION

Optimal model selection is a critical step to ensure our customers can achieve the desired performance and operating life from our products.



Packam has many years experience in the selection of the optimum indexer size and can therefore serve its customers in the best possible way. Model selection is done on the basis of three main parameters / ratings of an indexer - Torque limit, B10 rating and ROG Capacity.

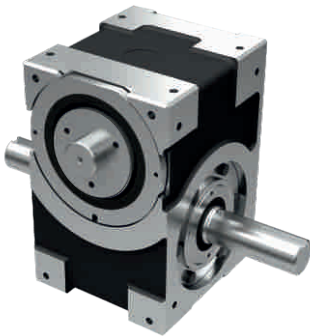
Our skilled team is always available to help you do this – however for customers who prefer to do it themselves, Packam has developed a sophisticated online tool.

Logon to www.packam.in

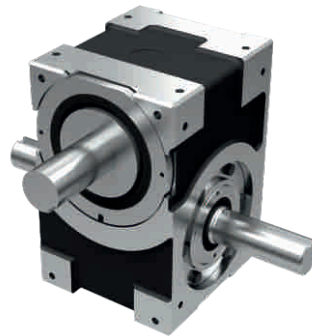
OPTIONAL FEATURES

Output Shaft

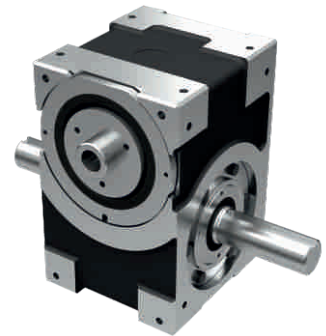
- Flange output is standard on most models
- Shaft output and Hollow output with through hole available on request



Flange output



Shaft output



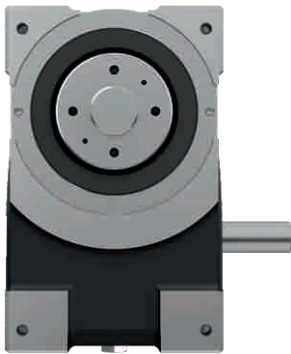
Hollow output

Input Shaft

- Double ended input shaft is standard on most models - single ended input shaft also available on request
- Customised input shaft to mount geared motor available on request

Drive Package

- Most models are available with a high performance drive package including: indexer, worm gear (with or without break & integral slipping clutch) and AC motor.



Single Ended Shaft



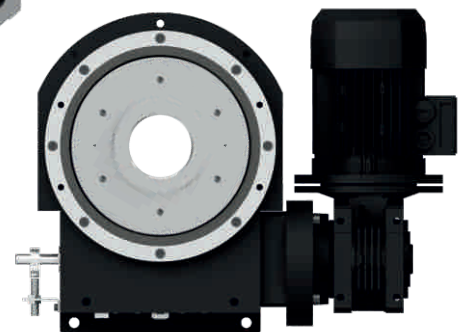
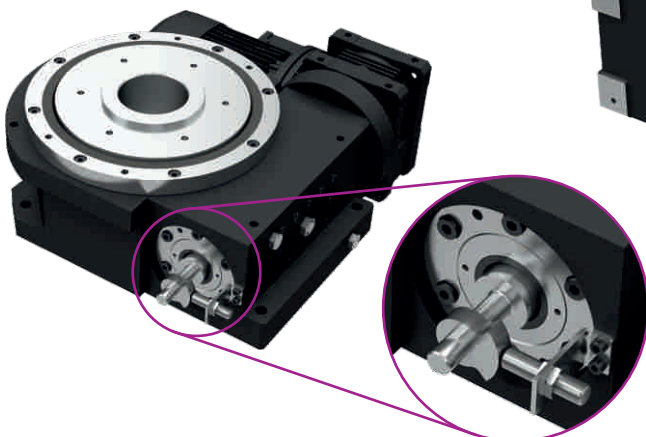
Drive Package

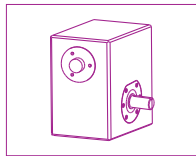


ADD-ONS

Add-ons for Cycle-On-Demand applications available on request

- Actuator Cam
- Sensor
- Bracket

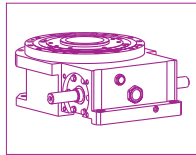




GC TYPE

Globoidal Cam Indexers

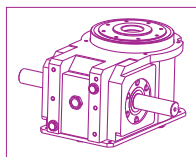
GC



RT TYPE

Rotary Table Indexers

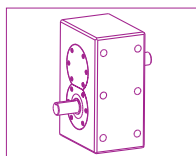
RT



HD TYPE

Heavy Duty Indexers

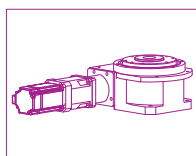
HD



PC TYPE

Parallel Cam Indexers

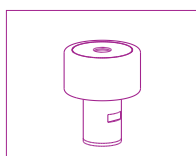
PC



SM TYPE

Servo-Mechanical Indexers

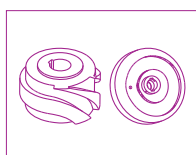
SM



CF TYPE

Cam Followers

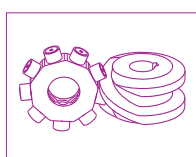
CF



CC TYPE

Custom Cams

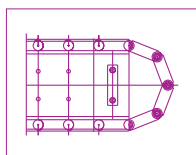
CC



CM TYPE

Custom Cam Mechanisms

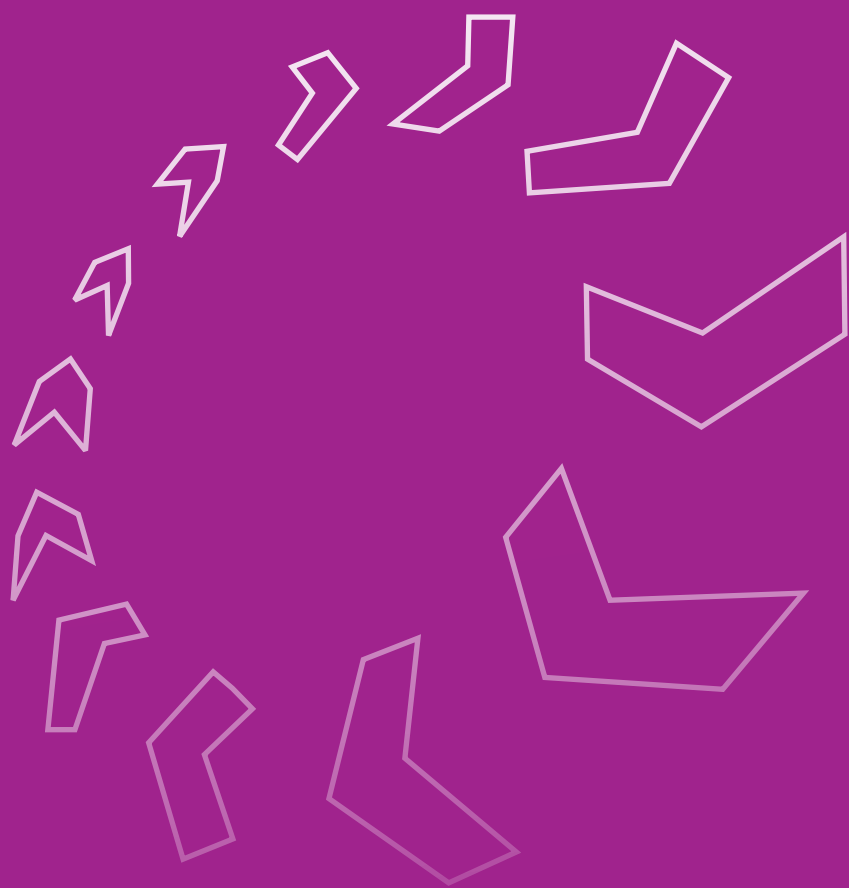
CM

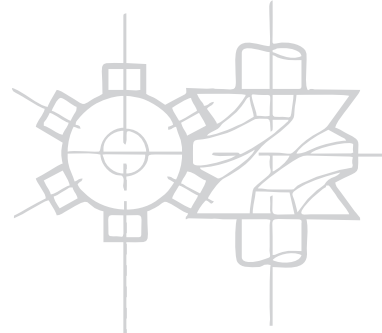


LC TYPE

Precision Link Conveyor

LC





Packam Controls Private Limited
Patel Vanika, Western Express Highway,
Goregaon (East), Mumbai - 400 063, India

T +91 22 61206600
F +91 22 61206606

E info@packam.co.in
U www.packam.co.in

Domestic Sales Enquiry
International Sales Enquiry
After Sales Service

sales@packam.co.in
export@packam.co.in
service@packam.co.in

