



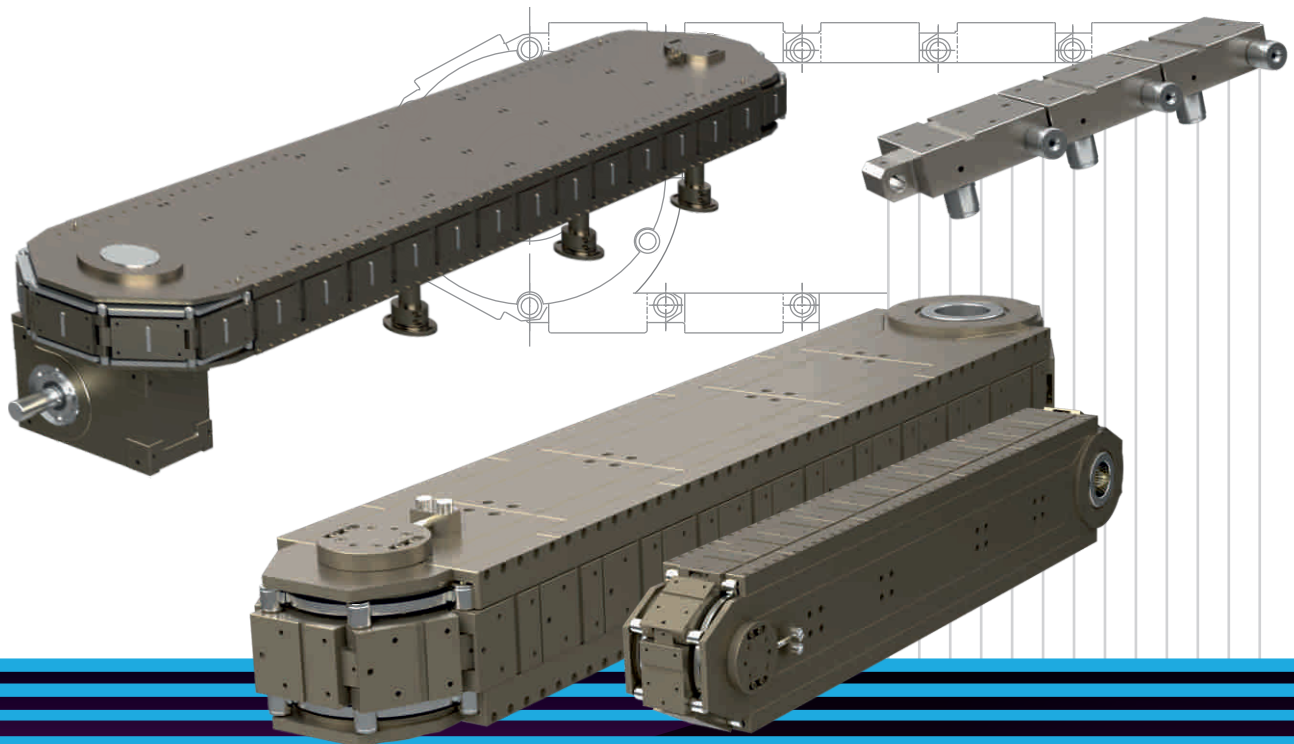
South Asia



EN ISO 12100:2010

LINK CONVEYOR

PREMIUM PACKAM SERIES



PRECISION LINK CONVEYORS

Precision Link Conveyor

Packam link conveyors (LC) are the state-of-the-art of precision conveyors with ultimate design for accurate linear operation for every kind of industry. These precision conveyors are designed to be a foundation for automation applications that require accurate positioning. The heart of this package is our proven Packam Index Drive, which assures the highest quality and performance.

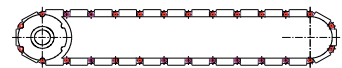
STANDARD MODULES TO MAKE CUSTOMISED SOLUTIONS

Features

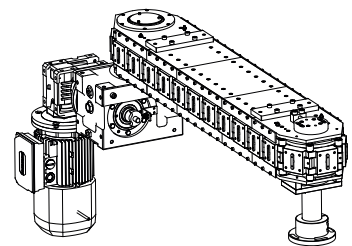
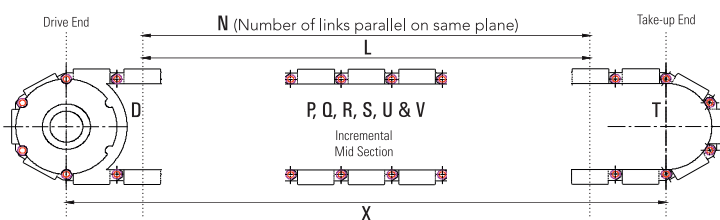
- ➔ Modular design for flexible platform configurations
- ➔ Structural construction allows customisation on conveyor
- ➔ Available in carousel or over-under working positions
- ➔ Through hardened & CNC ground cams for long life & high accuracy
- ➔ Up to 200 indexes per minute (depending on load)
- ➔ Available in 100mm, 150mm & 200mm link length sizes
- ➔ Precision needle roller cam followers for highest rigidity
- ➔ No vibration - Low operating noise
- ➔ Packam index drive offers low peak acceleration & smooth index motion
- ➔ Superior products using latest globoidal cam technology

Technical Specifications

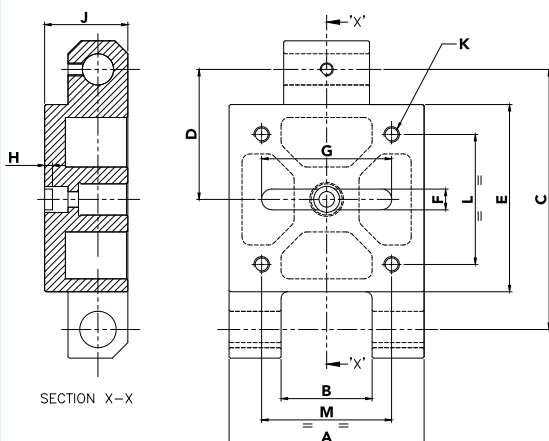
Models:	LC100	LC150	LC200
Link Material	Aluminum or Steel – depends on speed and load.		
Working Position	Carousel or Over-Under		
Direction of Rotation	Both (Reversible)		
Construction	Modular		
Indexes per Minutes	<200 (depending on load)		
Stroke Accuracy:	Refer to model specific page in our Technical Product Catalogue.		



Length / Configuration



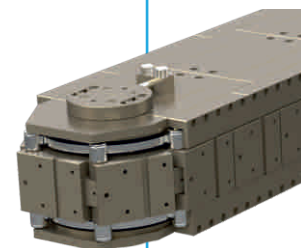
Link Details



DIMENSION	LC100	LC150	LC200
A	75mm	98mm	98mm
B	35mm	48mm	48mm
C	100mm	150mm	200mm
D	50mm	75mm	100mm
E	72mm	119mm	168mm
F	8H7	10H7	10H7
G	50mm	60mm	60mm
H	3mm	4.5mm	4.5mm
J	32mm	32mm	32mm
K	M6 (4)	M8 (4)	M8 (4)
L	50mm	90mm	140mm
M	50mm	70mm	70mm

LC TYPE

Characteristics	Unit	Value		
		LC100	LC150	LC200
Direction of Rotation	-	Reverse / Forward		
Stroke Length	mm	100, 200	150, 300	200, 400
No of Links	Nos.	14, 18, 20, 22, 24, 26, 28, 30, 32, 34, 36, 38, 40, 42, 44, 46, 48, 50, 52, 54, 56, 58, 60, 62, 64, 66	14, 18, 20, 22, 24, 26, 28, 30, 32, 34, 36, 38, 40, 42, 44, 46	16, 20, 22, 24, 26, 28, 30, 32, 34, 36, 38
Centre distance #	mm	400, 600, 700, 800, 900, 1000, 1100, 1200, 1300, 1400, 1500, 1600, 1700, 1800, 1900, 2000, 2100, 2200, 2300, 2400, 2500, 2600, 2700, 2800, 2900, 3000	600, 900, 1050, 1200, 1350, 1500, 1650, 1800, 1950, 2100, 2250, 2400, 2550, 2700, 2850, 3000	900, 1200, 1400, 1600, 1800, 2000, 2200, 2400, 2600, 2800, 3000
Link Material	-	Steel / Aluminium (Depending on Load & Speed)		
Construction	-	Modular		
Switching frequency	Cycles/min	Up to 200 (depending on load)	Up to 200 (depending on load)	Up to 200 (depending on load)
Stroke Accuracy *	mm	±0.08mm	±0.08mm	±0.08mm
Working position	-	Carousel (Horizontal) Over-Under (Vertical)	Carousel (Horizontal) Over-Under (Vertical)	Carousel (Horizontal) Over-Under (Vertical)
Axial Load Capacity	N	1100 for Carousel 2200 for Over Under	1100 for Carousel 2200 for Over Under	1100 for Carousel 2200 for Over Under
Moment Capacity	Nm	50 for both Carousel & Over-Under	65 for both Carousel & Over-Under	65 for both Carousel & Over-Under
Weight	kg	Depend on No. of Links & Link Material (See Bill of Delivery)		
Weight with packaging	kg	See Bill of Delivery		
Lubricant	-	Pacific LITHOX Series 00 or equivalent		



ZERO BACKLASH

HIGH ACCURACY AND REPEATABILITY

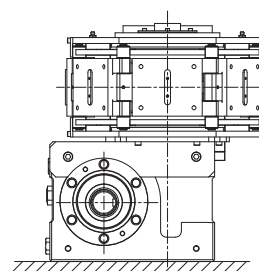
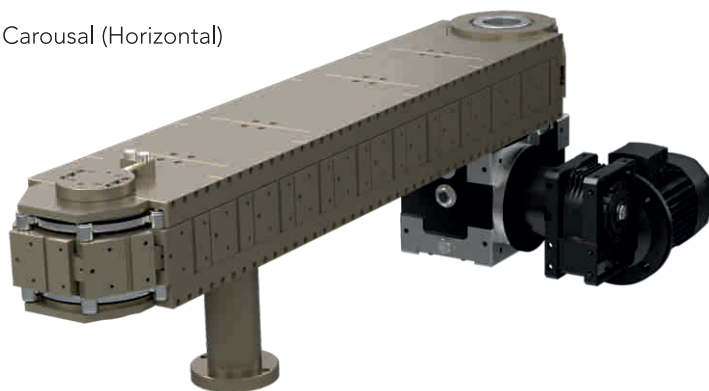


Lubed for Long Life

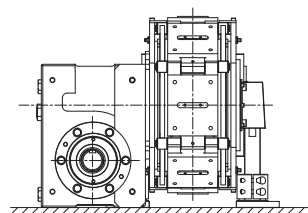
longer lengths available on request * higher accuracy available on request

Mounting Options

Carousel (Horizontal)



Over – Under (Vertical)



LONG LIFE



Packam Controls Private Limited
Patel Vanika, Western Express Highway,
Goregaon (East), Mumbai - 400 063, India

T +91 22 61206600
F +91 22 61206606

E info@packam.co.in
U www.packam.co.in

Domestic Sales Enquiry sales@packam.co.in
International Sales Enquiry export@packam.co.in
After Sales Service service@packam.co.in

